

SERVICE MANUAL

STEREO AV RECEIVER

aiwa

S/M Code No. 09-00B-427-9N1



SPECIFICATIONS

FM tuner section	87.5 MHz to 108 MHz	Outputs	AUDIO OUT (REC OUT): 200 mV (1 kohm)
Tuning range	13.2 dBf		VIDEO OUT (MONITOR): 1 Vp-p (75 ohms)
Usable sensitivity (IHF)	75 ohms (unbalanced)		SUB WOOFER: 1.2 V
Antenna terminals			FRONT SPEAKERS IMP: 8 ohms (front speakers A and B): accepts speakers of 8 ohms or more
 			SURROUND SPEAKERS IMP: 8 ohms (surround speakers): accepts speakers of 8 ohms or more
AM tuner section			CENTER SPEAKER IMP: 8 ohms (accepts speaker of 8 ohms or more
Tuning range	531 kHz to 1602 kHz (9 kHz step)		PHONES (stereo jack): accepts headphones of 32 ohms or more
	530 kHz to 1710 kHz (10 kHz step)		-20 dB
Usable sensitivity	350 µV/m	Muting	
Antenna	Loop antenna	General	
 		Power requirements	120/220-230/240 V AC, switchable 50/60 Hz
Amplifier section		Power consumption	230 W
Power output	[Stereo Mode]	Power consumption in standby mode	ECO OFF: 36 W
	Front	Dimensions (W x H x D)	ECO ON: 1.2 W
	Rated: 120 W + 120 W (8 ohms, T.H.D. 1 %, 1 kHz)	Weight	430 x 155 x 402 mm
	Reference: 155 W + 155 W (8 ohms, T.H.D. 10 %, 1 kHz)		11.3 kg
	[Dolby Pro Logic or 5.1 CH Mode]		
	Front		
	Rated: 90 W + 90 W (8 ohms, T.H.D. 1 %, 1 kHz)		
	Reference: 100 W + 100 W (8 ohms, T.H.D. 10 %, 1 kHz)		
	Rear (Surround)		
	Rated: 90 W + 90 W (8 ohms, T.H.D. 1 %, 1 kHz)		
	Reference: 100 W + 100 W (8 ohms, T.H.D. 10 %, 1 kHz)		
	Center		
	Rated: 90 W (8 ohms, T.H.D. 1 %, 1 kHz)		
	Reference: 100 W (8 ohms, T.H.D. 10 %, 1 kHz)		
Total harmonic distortion	0.08 % (45 W, 1 kHz, 8 ohms, Front)		
Inputs	AUDIO IN		
	PHONO: 2.5 mV, adjustable (47 kohms)		
	CD, VIDEO 1/DVD/MD, VIDEO 2/LD/TV, VIDEO 3: 300 mV, adjustable (47 kohms)		
	TAPE MONITOR: 350 mV (47 kohms)		
	AUX: 250 mV, adjustable (47 kohms)		
	5.1 INPUT		
	FRONT, CENTER: 300 mV, adjustable (47 kohms)		
	SURROUND: 300mV, adjustable (47 kohms)		
	SUB-WOOFER: 300 mV, adjustable (47 kohms)		
	VIDEO IN: 1 Vp-p (75 ohms)		
		• Design and specifications are subject to change without notice.	
		• Manufactured under license from Dolby Laboratories Licensing Corporation.	
		“DOLBY”, the double-D symbol and "PRO LOGIC" are trademarks of Dolby Laboratories Licensing Corporation.	
		• The word "BBE" and the "BBE symbol" are trademarks of BBE Sound, Inc.	
		Under license from BBE Sound, Inc.	

ACCESSORIES / PACKAGE LIST

REF. NO.	PART NO.	KANRI NO.	DESCRIPTION
1	8A-AR3-911-010		IB, H (EC-H) M
2	87-006-225-010		ANT, LOOP ANT NC2
3	87-043-115-010		FEEDER-ANT, FM
4	8A-AR3-704-010		RC UNIT, RC-AAR03
5	87-A91-017-010		PLUG, CONVERSION JT-0476

REF. NO.	PART NO.	KANRI NO.	DESCRIPTION	REF. NO.	PART NO.	KANRI NO.	DESCRIPTION
C296	87-012-368-080		C-CAP,S 0.1-50 Z F	C547	87-010-404-080		CAP,E 4.7-50 M 11L SME
C297	87-012-368-080		C-CAP,S 0.1-50 Z F	C548	87-010-404-080		CAP,E 4.7-50 M 11L SME
C298	87-012-368-080		C-CAP,S 0.1-50 Z F	C549	87-016-081-080		C-CAP,S 0.1-16 K R GRM
C303	87-010-179-080		C-CAP,S 1200P-50 K B GRM	C550	87-016-081-080		C-CAP,S 0.1-16 K R GRM
C304	87-010-179-080		C-CAP,S 1200P-50 K B GRM	C554	87-010-196-080		C-CAP,S 0.1-25 Z F C2012
C305	87-010-406-080		CAP,E 22-50 M 11L SME	C555	87-010-405-080		CAP,E 10-50 M 11L SME
C306	87-010-406-080		CAP,E 22-50 M 11L SME	C556	87-010-248-080		CAP,E 220-10 M 11L SME
C308	87-016-299-080		CAP,E 10-100 M SME	C557	87-010-405-080		CAP,E 10-50 M 11L SME
C309	87-010-260-080		CAP,E 47-25 M 11L SME	C558	87-010-992-080		C-CAP,S 0.047-25 KB MK212
C310	87-010-260-080		CAP,E 47-25 M 11L SME	C559	87-010-181-080		C-CAP,S 1800P-50 K B GRM
C311	87-010-322-080		C-CAP,S 100P-50 J CH GRM	C561	87-012-140-080		C-CAP,S 470P-50 J CH
C312	87-010-322-080		C-CAP,S 100P-50 J CH GRM	C562	87-012-140-080		C-CAP,S 470P-50 J CH
C315	87-A10-897-080		CAP,E 100-25 BP SME	C565	87-010-404-080		CAP,E 4.7-50 M 11L SME
C316	87-A10-897-080		CAP,E 100-25 BP SME	C566	87-010-404-080		CAP,E 4.7-50 M 11L SME
C317	87-A10-516-080		C-CAP,S 100P-200 J CH	C601	87-010-378-080		CAP,E 10-16 M 11L SME
C318	87-A10-516-080		C-CAP,S 100P-200 J CH	C602	87-010-378-080		CAP,E 10-16 M 11L SME
C321	87-016-526-080		C-CAP,S 0.47-16 BK	C603	87-012-156-080		C-CAP,S 220P-50 J CH
C322	87-016-526-080		C-CAP,S 0.47-16 BK	C604	87-012-156-080		C-CAP,S 220P-50 J CH
C323	87-010-402-080		CAP,E 2.2-50 M 11L SME	C605	87-010-405-080		CAP,E 10-50 M 11L SME
C324	87-010-402-080		CAP,E 2.2-50 M 11L SME	C606	87-010-405-080		CAP,E 10-50 M 11L SME
C325	87-010-196-080		C-CAP,S 0.1-25 Z F C2012	C607	87-012-140-080		C-CAP,S 470P-50 J CH
C327	87-010-178-080		C-CAP,S 1000P-50 K B C2012	C608	87-012-140-080		C-CAP,S 470P-50 J CH
C328	87-010-178-080		C-CAP,S 1000P-50 K B C2012	C609	87-010-188-080		C-CAP,S 6800P-50 KB C2012
C330	87-A10-354-080		C-CAP,S 0.047-50 K B	C610	87-010-188-080		C-CAP,S 6800P-50 KB C2012
C331	87-A10-354-080		C-CAP,S 0.047-50 K B	C611	87-010-197-080		C-CAP,S 0.01-25 KB C2012
C334	87-A10-918-080		CAP,E 100-16 SMG	C612	87-010-195-080		C-CAP,S 0.068-25 ZF C2012
C335	87-A10-918-080		CAP,E 100-16 SMG	C613	87-010-195-080		C-CAP,S 0.068-25 ZF C2012
C385	87-010-186-080		C-CAP,S 4700P-50 K B C2012	C614	87-010-197-080		C-CAP,S 0.01-25 KB C2012
C391	87-012-368-080		C-CAP,S 0.1-50 Z F	C615	87-010-404-080		CAP,E 4.7-50 M 11L SME
C392	87-012-368-080		C-CAP,S 0.1-50 Z F	C616	87-010-404-080		CAP,E 4.7-50 M 11L SME
C393	87-012-368-080		C-CAP,S 0.1-50 Z F	C617	87-010-404-080		CAP,E 4.7-50 M 11L SME
C394	87-012-368-080		C-CAP,S 0.1-50 Z F	C618	87-010-404-080		CAP,E 4.7-50 M 11L SME
C402	87-010-181-080		C-CAP,S 1800P-50 K B GRM	C619	87-010-404-080		CAP,E 4.7-50 M 11L SME
C403	87-010-405-080		CAP,E 10-50 M 11L SME	C620	87-010-101-080		CAP,E 220-16 M SME
C405	87-010-406-080		CAP,E 22-50 M 11L SME	C621	87-010-260-080		CAP,E 47-25 M 11L SME
C406	87-010-322-080		C-CAP,S 100P-50 J CH GRM	C701	87-010-196-080		C-CAP,S 0.1-25 Z F C2012
C408	87-A10-897-080		CAP,E 100-25 BP SME	C702	87-010-196-080		C-CAP,S 0.1-25 Z F C2012
C409	87-A10-516-080		C-CAP,S 100P-200 J CH	C723	87-010-401-080		CAP,E 1-50 M 11L SME
C411	87-016-526-080		C-CAP,S 0.47-16 BK	C726	87-010-401-080		CAP,E 1-50 M 11L SME
C412	87-010-402-080		CAP,E 2.2-50 M 11L SME	C745	87-010-190-080		C-CAP,S 0.01-50 ZF C2012
C413	87-010-196-080		C-CAP,S 0.1-25 Z F C2012	C746	87-012-368-080		C-CAP,S 0.1-50 Z F
C414	87-010-178-080		C-CAP,S 1000P-50 K B C2012	C747	87-018-209-080		CAP,TC-U 0.1-50 ZF
C416	87-016-299-080		CAP,E 10-100 M SME	C750	87-010-196-080		C-CAP,S 0.1-25 Z F C2012
C420	87-A10-354-080		C-CAP,S 0.047-50 K B	C901	87-010-406-080		CAP,E 22-50 M 11L SME
C485	87-010-186-080		C-CAP,S 4700P-50 K B C2012	C902	87-010-406-080		CAP,E 22-50 M 11L SME
C491	87-012-368-080		C-CAP,S 0.1-50 Z F	C903	87-010-406-080		CAP,E 22-50 M 11L SME
C492	87-012-368-080		C-CAP,S 0.1-50 Z F	C904	87-010-406-080		CAP,E 22-50 M 11L SME
C501	87-010-404-080		CAP,E 4.7-50 M 11L SME	C905	87-010-406-080		CAP,E 22-50 M 11L SME
C502	87-010-404-080		CAP,E 4.7-50 M 11L SME	C906	87-010-260-080		CAP,E 47-25 M 11L SME
C503	87-012-157-080		C-CAP,S 330P-50 J CH GRM	C907	87-010-196-080		C-CAP,S 0.1-25 Z F C2012
C504	87-012-157-080		C-CAP,S 330P-50 J CH GRM	C908	87-010-387-080		CAP,E 470-25 M SME
C511	87-010-404-080		CAP,E 4.7-50 M 11L SME	C909	87-010-371-080		CAP,E 470-6.3 M SME
C512	87-010-404-080		CAP,E 4.7-50 M 11L SME	C910	87-010-371-080		CAP,E 470-6.3 M SME
C513	87-010-260-080		CAP,E 47-25 M 11L SME	C911	87-010-371-080		CAP,E 470-6.3 M SME
C514	87-010-260-080		CAP,E 47-25 M 11L SME	C912	87-010-196-080		C-CAP,S 0.1-25 Z F C2012
C515	87-010-370-080		CAP,E 330-6.3 M SME	C913	87-010-196-080		C-CAP,S 0.1-25 Z F C2012
C516	87-010-370-080		CAP,E 330-6.3 M SME	C914	87-010-196-080		C-CAP,S 0.1-25 Z F C2012
C517	87-010-196-080		C-CAP,S 0.1-25 Z F C2012	C995	87-A12-314-080		CAP,CER 47P-500
C518	87-010-196-080		C-CAP,S 0.1-25 Z F C2012	C996	87-A12-314-080		CAP,CER 47P-500
C519	87-010-196-080		C-CAP,S 0.1-25 Z F C2012	C997	87-A12-314-080		CAP,CER 47P-500
C520	87-010-196-080		C-CAP,S 0.1-25 Z F C2012	C998	87-A12-314-080		CAP,CER 47P-500
C531	87-010-213-080		C-CAP,S 0.015-25 K B GRM	C999	87-A12-314-080		CAP,CER 47P-500
C532	87-010-992-080		C-CAP,S 0.047-25 K B MK212	CN110	87-A60-621-010		CONN,4P V 2MM JMT
C533	87-015-785-080		C-CAP, 0.1-25 Z F C3216	CN501	87-A60-039-010		CONN,32P V 9604S-32C
C535	87-010-404-080		CAP,E 4.7-50 M 11L SME	CN502	87-A60-061-010		CONN,06P V 9604S-06C
C536	87-010-404-080		CAP,E 4.7-50 M 11L SME	CN503	87-A60-056-010		CONN,12P V 9604S-12C
C539	87-010-401-080		CAP,E 1-50 M 11L SME	CN504	87-099-567-010		CONN,10P TUC-P10P-B1
C540	87-010-401-080		CAP,E 1-50 M 11L SME	CN505	87-099-570-010		CONN,13P V TUC-P13P-B1
C541	87-010-185-080		C-CAP,S 3900P-50 K B	CN509	87-099-667-010		CONN,8P H TUC-P08P-B1
C542	87-010-185-080		C-CAP,S 3900P-50 K B	CN601	87-A60-627-010		CONN,10P V 2MM JMT

REF. NO.	PART NO.	KANRI NO.	DESCRIPTION	REF. NO.	PART NO.	KANRI NO.	DESCRIPTION
CN702	87-099-668-010		CONN,9P TUC-P 9P-B1	C711	87-010-263-040		CAP,E 100-10 M 11L SME
CN901	87-A60-619-010		CONN,2P V 2MM JMT	C712	87-010-382-040		CAP,E 22-25 M 11L SME
W003	8A-AR3-654-010		CONN ASSY,9P VH	C714	87-010-560-040		CAP,E 10-50 M 5L MA
CNA201	8Z-AR4-606-010		CONN ASSY,8P VH	C723	87-010-405-040		CAP,E 10-50 M 11L SME
CNA202	8Z-AR4-605-010		CONN ASSY,6P VH	C801	87-010-322-080		C-CAP,S 100P-50 J CH GRM
FFC502	8A-AR3-645-010		FF-CABLE,6P 1.25 380MM	C803	87-010-196-080		C-CAP,S 0.1-25 Z F C2012
J501	87-A60-947-010		JACK,PIN 4P W/R GLD	C805	87-010-198-080		C-CAP,S 0.022-25 K B C2012
J502	87-A60-947-010		JACK,PIN 4P W/R GLD	C806	87-010-400-040		CAP,E 0.47-50 M 11L SME
J715	87-A61-059-010		JACK,PIN 1P BLK W/O SW GOLD	C807	87-010-196-080		C-CAP,S 0.1-25 Z F C2012
J750	87-A61-304-010		JACK,PIN 6P HSP-246V6-58	C808	87-010-498-040		CAP,E 10-16 M 25 SRE
J901	87-A60-949-010		JACK,PIN 3P R/W/Y V GLD	C809	87-010-196-080		C-CAP,S 0.1-25 Z F C2012
J902	87-A60-950-010		JACK,PIN 3P R/W/Y W/E GLD	C810	87-010-196-080		C-CAP,S 0.1-25 Z F C2012
J903	87-A60-949-010		JACK,PIN 3P R/W/Y V GLD	C811	87-A10-189-040		CAP,E 220-10 M 5L
J904	87-A60-949-010		JACK,PIN 3P R/W/Y V GLD	C812	87-A10-189-040		CAP,E 220-10 M 5L
J905	87-A60-949-010		JACK,PIN 3P R/W/Y V GLD	C813	87-010-401-040		CAP,E 1-50 M 11L
L291	87-A50-610-010		COIL,1UH K(MDEC)	C814	87-010-178-080		C-CAP,S 1000P-50 K B C2012
L292	87-A50-610-010		COIL,1UH K(MDEC)	C815	87-010-196-080		C-CAP,S 0.1-25 Z F C2012
L293	87-A50-610-010		COIL,1UH K(MDEC)	C816	87-010-312-080		C-CAP,S 15P-50 J CH GRM
L294	87-A50-610-010		COIL,1UH K(MDEC)	C817	87-012-155-080		C-CAP,S 180P-50 J CH GRM
L391	87-A50-610-010		COIL,1UH K(MDEC)	C818	87-010-178-080		C-CAP,S 1000P-50 K B C2012
L392	87-A50-610-010		COIL,1UH K(MDEC)	C819	87-012-156-080		C-CAP,S 220P-50 J CH GRM
L491	87-A50-610-010		COIL,1UH K(MDEC)	C820	87-012-156-080		C-CAP,S 220P-50 J CH GRM
L901	87-005-239-080		COIL,100UH K LAL03	C821	87-010-178-080		C-CAP,S 1000P-50 K B C2012
△ PR101	87-026-682-080		PROTECTOR,10A 491 SERIES 60V	C822	87-010-182-080		C-CAP,S 2200P-50 K B C2012
△ PR104	87-026-682-080		PROTECTOR,10A 491 SERIES 60V	C823	87-010-182-080		C-CAP,S 2200P-50 K B C2012
△ PR107	87-026-682-080		PROTECTOR,10A 491 SERIES 60V	C824	87-010-182-080		C-CAP,S 2200P-50 K B C2012
△ PR108	87-026-682-080		PROTECTOR,10A 491 SERIES 60V	C825	87-010-196-080		C-CAP,S 0.1-25 Z F C2012
△ PR201	87-026-682-080		PROTECTOR,10A 491 SERIES 60V	C826	87-010-405-040		CAP,E 10-50 M 11L SME
△ PR202	87-026-682-080		PROTECTOR,10A 491 SERIES 60V	C827	87-010-198-080		C-CAP,S 0.022-25 K B C2012
△ PR301	87-026-682-080		PROTECTOR,10A 491 SERIES 60V	C829	87-012-156-080		C-CAP,S 220P-50 J CH GRM
△ PR302	87-026-682-080		PROTECTOR,10A 491 SERIES 60V	C831	87-A10-189-040		CAP,E 220-10 M 5L
△ PR401	87-026-682-080		PROTECTOR,10A 491 SERIES 60V	C832	87-010-196-080		C-CAP,S 0.1-25 Z F C2012
△ PR402	87-026-682-080		PROTECTOR,10A 491 SERIES 60V	C833	87-012-368-080		C-CAP,S 0.1-50 Z F
R109	87-029-060-080		RES,FUSE 33-1/4W J	C834	87-012-368-080		C-CAP,S 0.1-50 Z F
R211	87-A00-598-010		RES,M/F 0.15-3W J-8.5MM	C835	87-012-368-080		C-CAP,S 0.1-50 Z F
R212	87-A00-598-010		RES,M/F 0.15-3W J-8.5MM	C836	87-012-157-080		C-CAP,S 330P-50 J CH GRM
R231	87-A00-598-010		RES,M/F 0.15-3W J-8.5MM	C837	87-012-157-080		C-CAP,S 330P-50 J CH GRM
R232	87-A00-598-010		RES,M/F 0.15-3W J-8.5MM	C838	87-012-157-080		C-CAP,S 330P-50 J CH GRM
R233	87-A00-598-010		RES,M/F 0.15-3W J-8.5MM	C839	87-012-157-080		C-CAP,S 330P-50 J CH GRM
R234	87-A00-598-010		RES,M/F 0.15-3W J-8.5MM	C840	87-012-157-080		C-CAP,S 330P-50 J CH GRM
R281	87-A00-373-050		RES,M/F 270-1W J VTP	C841	87-012-157-080		C-CAP,S 330P-50 J CH GRM
R282	87-A00-373-050		RES,M/F 270-1W J VTP	C842	87-012-157-080		C-CAP,S 330P-50 J CH GRM
R283	87-A00-373-050		RES,M/F 270-1W J VTP	C843	87-012-157-080		C-CAP,S 330P-50 J CH GRM
R284	87-A00-373-050		RES,M/F 270-1W J VTP	C844	87-012-157-080		C-CAP,S 330P-50 J CH GRM
R331	87-A00-598-010		RES,M/F 0.15-3W J-8.5MM	C845	87-012-157-080		C-CAP,S 330P-50 J CH GRM
R332	87-A00-598-010		RES,M/F 0.15-3W J-8.5MM	C846	87-012-157-080		C-CAP,S 330P-50 J CH GRM
R333	87-A00-598-010		RES,M/F 0.15-3W J-8.5MM	C847	87-015-699-040		CAP,E 10-50 7L
R334	87-A00-598-010		RES,M/F 0.15-3W J-8.5MM	C848	87-010-405-040		CAP,E 10-50 SME
R416	87-A00-598-010		RES,M/F 0.15-3W J-8.5MM	C849	87-012-368-080		C-CAP,S 0.1-50 Z F
R417	87-A00-598-010		RES,M/F 0.15-3W J-8.5MM	C850	87-010-408-040		CAP,E 47-50 M 11L SME
R424	87-A00-598-010		RES,M/F 0.15-3W J-8.5MM	C852	87-010-560-040		CAP,E 10-50 M 5L SMA
R587	87-A00-126-080		RES,M/F 220-1W J VTP	C863	87-010-178-080		C-CAP,S 1000P-50 KB C2012
R590	87-A00-598-010		RES,M/F 0.15-3W J-8.5MM	C864	87-012-157-080		C-CAP,S 330P-50 J CH GRM
R611	87-A00-598-010		RES,M/F 0.15-3W J-8.5MM	C866	87-012-140-080		C-CAP,S 470P-50 J CH
R905	87-010-317-080		C-CAP,S 39P-50 J CH	C867	87-010-196-080		C-CAP,S 0.1-25 ZF C2012
S291	87-A90-174-010		SW,PUSH 2-2-2 R2121382ES	CN801	87-A60-079-010		CONN,08P H 9604S-08F
S292	87-A90-174-010		SW,PUSH 2-2-2 R2121382ES	CN802	87-A60-064-010		CONN,32P H 9604S-32F
TH201	87-A91-081-080		C-THMS,100K-K 20P	CN803	87-A60-081-010		CONN,06P H 9604S-06F
TH202	87-A91-081-080		C-THMS,100K-K 20P	CN805	87-099-757-010		CONN,16P H 9604
TH301	87-A91-081-080		C-THMS,100K-K 20P	FFC801	88-908-101-110		FF-CABLE,8P 1.25 100MM
TH302	87-A91-081-080		C-THMS,100K-K 20P	FFC802	8A-AR3-643-010		FF-CABLE,32P 1.25 430
TH401	87-A91-081-080		C-THMS,100K-K 20P	FFC805	88-916-101-110		FF-CABLE,16P-1.25 100MM
WH101	87-A90-510-010		HLDR,WIRE 2.5-9P	FL801	8A-AR1-602-010		FL,BJ759GK
				L801	87-A50-434-010		COIL,CLK 4.19M(TOKO)
				LED703	87-A40-317-010		LED,SLR-342VCT31 RED
FRONT C.B				LED704	87-A40-317-080		LED,SLR-342VCT31 RED
C707	87-010-382-040		CAP,E 22-25 M 11L SME	LED705	87-A40-317-080		LED,SLR-342VCT31 RED
C708	87-010-382-040		CAP,E 22-25 M 11L SME	LED706	87-A40-317-080		LED,SLR-342VCT31 RED
C709	87-010-382-040		CAP,E 22-25 M 11L SME	LED707	87-A40-317-080		LED,SLR-342VCT31 RED
C710	87-010-382-040		CAP,E 22-25 M 11L SME	LED708	87-A40-317-080		LED,SLR-342VCT31 RED

REF. NO.	PART NO.	KANRI NO.	DESCRIPTION	REF. NO.	PART NO.	KANRI NO.	DESCRIPTION
LED709	87-A40-317-080		LED,SLR-342VCT31 RED	C849	87-012-393-080		C-CAP,S 0.22-16 R K
LED710	87-A40-317-080		LED,SLR-342VCT31 RED	C850	87-016-081-080		C-CAP,S 0.1-16 RK
LED711	87-A40-317-080		LED,SLR-342VCT31 RED	C851	87-A10-802-080		C-CAP,S 0.047-16 J B CM
LED712	87-A40-317-080		LED,SLR-342VCT31 RED	C852	87-A10-802-080		C-CAP,S 0.047-16 J B CM
S801	87-A90-095-080		SW,TACT EVQ11G04M	C853	87-016-081-080		C-CAP,S 0.1-16 RK
S802	87-A90-095-080		SW,TACT EVQ11G04M	C854	87-016-081-080		C-CAP,S 0.1-16 RK
S803	87-A90-095-080		SW,TACT EVQ11G04M	C855	87-A10-801-080		C-CAP,S 0.022-16 J B CM
S804	87-A90-095-080		SW,TACT EVQ11G04M	C856	87-A10-801-080		C-CAP,S 0.022-16 J B CM
S805	87-A90-095-080		SW,TACT EVQ11G04M	C857	87-016-081-080		C-CAP,S 0.1-16 RK
S806	87-A90-095-080		SW,TACT EVQ11G04M	C861	87-016-081-080		C-CAP,S 0.1-16 RK
S807	87-A90-095-080		SW,TACT EVQ11G04M	C862	87-010-263-080		CAP, ELECT 100-10V
S808	87-A90-095-080		SW,TACT EVQ11G04M	C863	87-016-081-080		C-CAP,S 0.1-16 RK
S809	87-A90-095-080		SW,TACT EVQ11G04M	C864	87-010-263-080		CAP, ELECT 100-10V
S810	87-A90-095-080		SW,TACT EVQ11G04M	C865	87-016-083-080		C-CAP,S 0.15-16 RK
S811	87-A90-095-080		SW,TACT EVQ11G04M	C867	87-A10-201-080		C-CAP,S0.33-16 KB
S812	87-A90-095-080		SW,TACT EVQ11G04M	C868	87-A10-060-080		C-CAP,S 0.18-16 K B
S813	87-A90-095-080		SW,TACT EVQ11G04M	C869	87-010-166-080		C-CAP,S 100P-50 SL
S814	87-A90-095-080		SW,TACT EVQ11G04M	C870	87-010-166-080		C-CAP,S 100P-50 SL
S815	87-A90-095-080		SW,TACT EVQ11G04M	C871	87-010-166-080		C-CAP,S 100P-50 SL
S816	87-A90-095-080		SW,TACT EVQ11G04M	C872	87-016-081-080		C-CAP,S 0.1-16 RK
S817	87-A90-095-080		SW,TACT EVQ11G04M	C873	87-016-081-080		C-CAP,S 0.1-16 RK
SW801	87-A91-646-010		SW,RTRY EC12E12204	C878	87-010-401-080		CAP, ELECT 1-50V
SW802	87-A91-647-010		SW,RTRY EC12E12504	C891	87-010-404-080		CAP, ELECT 4.7-50V
				C892	87-010-404-080		CAP, ELECT 4.7-50V
				CNA101	8A-AR4-655-010		CONN ASSY,7P V130 MM
PROLOGIC C.B				CN703	87-A60-060-010		CONN,07P V 9604S-07C
C801	87-010-176-080		C-CAP,S 680P-50 SL	CN801	87-099-556-010		CONN,10P TUC-P10X-B1
C802	87-010-176-080		C-CAP,S 680P-50 SL	CN802	87-099-559-010		CONN,13P TUC-P13X-B1
C803	87-010-949-080		CHIP CAPACITOR,S 0.01-50 BJ	R832	87-016-552-080		C-CAP,S 0.082-16 K B C2012
C804	87-010-949-080		CHIP CAPACITOR,S 0.01-50 BJ	R834	87-016-552-080		C-CAP,S 0.082-16 K B C2012
C805	87-010-949-080		CHIP CAPACITOR,S 0.01-50 BJ				
C806	87-010-949-080		CHIP CAPACITOR,S 0.01-50 BJ	VOLUME C.B			
C807	87-010-405-080		CAP, ELECT 10-50V	C601	87-010-195-080		C-CAP,S 0.068-25 Z F C2012
C808	87-010-405-080		CAP, ELECT 10-50V	C602	87-010-195-080		C-CAP,S 0.068-25 Z F C2012
C809	87-016-081-080		C-CAP,S 0.1-16 RK	C603	87-010-195-080		C-CAP,S 0.068-25 Z F C2012
C810	87-010-112-080		CAP, ELECT 100-16V	C604	87-010-195-080		C-CAP,S 0.068-25 Z F C2012
C811	87-010-402-080		CAP, ELECT 2.2-50V	C605	87-010-195-080		C-CAP,S 0.068-25 Z F C2012
C812	87-010-402-080		CAP, ELECT 2.2-50V	C606	87-010-805-080		C-CAP,S 1-16 Z F
C813	87-010-400-080		CAP, ELECT 0.47-50V	C607	87-010-178-080		C-CAP,S 1000P-50 K B C2012
C814	87-010-401-080		CAP, ELECT 1-50V	C608	87-010-186-080		C-CAP,S 4700P-50 K B C2012
C815	87-010-546-080		CAP, ELECT 0.33-50V	C610	87-010-196-080		C-CAP,S 0.1-25 Z F C2012
C816	87-010-546-080		CAP, ELECT 0.33-50V	C611	87-010-196-080		C-CAP,S 0.1-25 Z F C2012
C817	87-010-263-080		CAP, ELECT 100-10V	C612	87-010-196-080		C-CAP,S 0.1-25 Z F C2012
C818	87-010-367-080		CAP,E 4.7-25 BP	C613	87-010-196-080		C-CAP,S 0.1-25 Z F C2012
C819	87-010-188-080		CAP,CHIP 6800P	C614	87-010-196-080		C-CAP,S 0.1-25 Z F C2012
C820	87-010-374-080		CAP, ELECT 47-10V	C615	87-010-196-080		C-CAP,S 0.1-25 Z F C2012
C821	87-016-081-080		C-CAP,S 0.1-16 RK	C634	87-010-374-080		CAP,E 47-10 M 11L SME
C822	87-016-083-080		C-CAP,S 0.15-16 RK	CN601	87-099-757-010		CONN,16P H 9604
C823	87-010-263-080		CAP, ELECT 100-10V	CN602	87-009-371-010		CONN,6P V BLK BTMK
C824	87-010-374-080		CAP, ELECT 47-10V	CN603	87-A60-080-010		CONN,07P H 9604S-07F
C825	87-016-081-080		C-CAP,S 0.1-16 RK	FFC603	88-907-301-110		FF-CABLE,7P 1.25
C826	87-010-166-080		C-CAP,S 100P-50 SL	S601	87-A90-095-080		SW,TACT EVQ11G04M
C827	87-010-166-080		C-CAP,S 100P-50 SL	S602	87-A90-095-080		SW,TACT EVQ11G04M
C828	87-010-166-080		C-CAP,S 100P-50 SL	SW601	87-A91-645-010		SW,RTRY EC12E24304NON-CLICK
C829	87-010-401-080		CAP,ELECT 1-50V				
C830	87-010-546-080		CAP, ELECT 0.33-50V				
C831	87-010-971-080		C-CAP,S 4700P-50 B J	VIDEO C.B			
C832	87-012-349-080		C-CAP,S 1000P-50 CH	C501	87-A11-148-080		CAP,TC U 0.1-50 Z F
C837	87-010-971-080		C-CAP,S 4700P-50 B J	C502	87-A11-148-080		CAP,TC U 0.1-50 Z F
C838	87-012-349-080		C-CAP,S 1000P-50 CH	C503	87-010-188-080		C-CAP,S 6800P-50 K B C2012
C839	87-010-401-080		CAP, ELECT 1-50V	C504	87-010-188-080		C-CAP,S 6800P-50 K B C2012
C840	87-010-401-080		CAP, ELECT 1-50V	C507	87-A11-148-080		CAP,TC U 0.1-50 Z F
C841	87-A10-799-080		C-CAP,S 5600P-16 J B CM	CN604	87-099-201-010		CONN,8P H BLK 6216
C842	87-A10-802-080		C-CAP,S 0.047-16 J B CM	CNA605	8A-AR3-652-010		CONN ASSY,2P -VIDEO 3
C843	87-A10-229-080		C-CAP,S 0.68-10 K W5	FB501	87-008-372-080		FLTR,EMI BL01RN1
C844	87-012-393-080		C-CAP,S 0.22-16 R K	FB602	87-008-372-080		FLTR,EMI BL01RN1
C845	87-012-393-080		C-CAP,S 0.22-16 R K	J501	87-A60-948-010		JACK,PIN 3P R/W/Y GLD
C846	87-010-404-080		CAP, ELECT 4.7-50V	J603	87-A60-550-010		JACK,DIA6.3 BLK ST W/SW KM
C847	87-010-404-080		CAP, ELECT 4.7-50V				
C848	87-012-393-080		C-CAP,S 0.22-16 R K				

REF. NO.	PART NO.	KANRI NO.	DESCRIPTION	REF. NO.	PART NO.	KANRI NO.	DESCRIPTION
GEQ C.B				C773	87-010-196-080		CHIP CAPACITOR,0.1-25
C758	87-010-404-080		CAP, ELECT 4.7-50V	C774	87-010-263-080		CAP, ELECT 100-10V
C759	87-012-368-080		C-CAP,S 0.1-50 F	C775	87-010-404-080		CAP, ELECT 4.7-50V
C761	87-010-198-080		CAP, CHIP 0.022	C776	87-012-286-080		CAP, U 0.01-25
C762	87-010-197-080		CAP, CHIP 0.01 DM	C777	87-010-400-080		CAP, ELECT 0.47-50V
C764	87-010-185-080		C-CAP,S 3900P-50 B				
C765	87-010-194-080		CAP, CHIP 0.047	C778	87-010-401-080		CAP, ELECT 1-50V
C766	87-010-181-080		CAP,CHIP S 1800P	C779	87-010-401-080		CAP, ELECT 1-50V
C767	87-010-198-080		CAP, CHIP 0.022	C780	87-010-196-080		CHIP CAPACITOR,0.1-25
C768	87-010-994-080		C-CAP,S 680P-50	C781	87-010-405-080		CAP, ELECT 10-50V
C769	87-010-188-080		CAP,CHIP 6800P	C782	87-010-405-080		CAP, ELECT 10-50V
C770	87-012-145-080		CAP, CHIP S 270P CH	C783	87-012-286-080		CAP, U 0.01-25
C771	87-010-183-080		C-CAP,S 2700P-50 B	C784	87-012-286-080		CAP, U 0.01-25
C772	87-012-145-080		CAP, CHIP S 270P CH	C785	87-010-805-080		CAP, S 1-16
C773	87-010-188-080		CAP,CHIP 6800P	C786	87-010-805-080		CAP, S 1-16
C774	87-010-994-080		C-CAP,S 680P-50 CH	C787	87-012-280-080		CAP, U 3300P-50
C775	87-010-198-080		CAP, CHIP 0.022	C788	87-012-280-080		CAP, U 3300P-50
C776	87-010-181-080		CAP,CHIP S 1800P	C789	87-012-275-080		C-CAP,U 1200P-50 B
C777	87-010-194-080		CAP, CHIP 0.047	C790	87-012-275-080		C-CAP,U 1200P-50 B
C778	87-010-185-080		C-CAP,S 3900P-50 B	C791	87-010-405-080		CAP, ELECT 10-50V
C780	87-010-197-080		CAP, CHIP 0.01 DM	C793	87-012-273-080		C-CAP,U 820P-50 B
C782	87-010-183-080		C-CAP,S 2700P-50 B	C794	87-010-406-080		CAP, ELECT 22-50
C783	87-010-198-080		CAP, CHIP 0.022	C795	87-010-194-080		C-CAP,S 0.047-25 ZF
C786	87-010-402-080		CAP, ELECT 2.2-50V	C796	87-010-403-080		CAP, ELECT 3.3-50V
C787	87-010-402-080		CAP, ELECT 2.2-50V	C797	87-012-276-080		CAP, U 1500P-50
C788	87-010-260-080		CAP, ELECT 47-25V	C798	87-012-276-080		CAP, U 1500P-50
C789	87-010-260-080		CAP, ELECT 47-25V	C799	87-010-829-080		CAP, U 0.047-16
C790	87-010-260-080		CAP, ELECT 47-25V	C812	87-012-286-080		CAP, U 0.01-25
C791	87-010-405-080		CAP, ELECT 10-50V	C813	87-010-196-080		CHIP CAPACITOR,0.1-25
C792	87-010-405-080		CAP, ELECT 10-50V	C814	87-012-286-080		CAP, U 0.01-25
C793	87-012-368-080		C-CAP,S 0.1-50 F	C819	87-010-197-080		CAP, CHIP 0.01 DM
C794	87-012-368-080		C-CAP,S 0.1-50 F	C820	87-010-260-080		CAP, ELECT 47-25V
C797	87-010-322-080		C-CAP,S 100P-50 CH	C821	87-012-286-080		CAP, U 0.01-25
C798	87-010-322-080		C-CAP,S 100P-50 CH	C822	87-012-286-080		CAP, U 0.01-25
C799	87-010-322-080		C-CAP,S 100P-50 CH	C823	87-012-286-080		CAP, U 0.01-25
CN701	87-099-670-010		CONN,9P TUC-P9X-B1	C828	87-010-196-080		CHIP CAPACITOR,0.1-25
CN702	8A-AR3-653-010		CONN ASSY,10P (GEQ)	C829	87-010-196-080		CHIP CAPACITOR,0.1-25
TUNER C.B				C959	87-010-196-080		CHIP CAPACITOR,0.1-25
C701	87-010-260-080		CAP, ELECT 47-25V	C960	87-010-196-080		CHIP CAPACITOR,0.1-25
C702	87-010-404-080		CAP, ELECT 4.7-50V	C961	87-012-170-080		C-CAP, U 8P-50 CH
C703	87-012-286-080		CAP, U 0.01-25	CF801	87-008-261-010		FILTER, SFE10.7MA5-A
C704	87-012-286-080		CAP, U 0.01-25	CF802	87-008-261-010		FILTER, SFE10.7MA5-A
C709	87-012-195-080		C-CAP,U 100P-50CH	CN601	87-099-028-010		CONN,11P 6216 H
C711	87-010-263-080		CAP, ELECT 100-10V	FFC601	88-912-161-110		FF-CABLE,12P 1.25 160
C712	87-010-196-080		CHIP CAPACITOR,0.1-25	FFE801	A8-6ZA-191-130		6ZA-1 FEENM
C713	87-012-286-080		CAP, U 0.01-25	J801	87-A60-657-010		TERMINAL,4P HSP-154V5-02
C714	87-012-286-080		CAP, U 0.01-25	L771	87-A50-266-010		COIL,FM DET-2N(TOK)
C717	87-012-286-080		CAP, U 0.01-25	L772	87-A90-733-010		FLTR,PCFAZH-450
C719	87-012-286-080		CAP, U 0.01-25	L781	87-005-847-080		COIL,2.2UH(CECS)
C721	87-012-176-080		CAP 15P	L791	87-A50-027-010		COIL,1 POLE MPX(TOK)
C722	87-012-176-080		CAP 15P	L792	87-A50-027-010		COIL,1 POLE MPX(TOK)
C723	87-012-274-080		CHIP CAP,U 1000P-50B	L832	87-005-847-080		COIL,2.2UH(CECS)
C725	87-012-274-080		CHIP CAP,U 1000P-50B	L981	87-NF4-650-010		COIL,AM PACK4N(TOK)
C727	87-010-196-080		CHIP CAPACITOR,0.1-25	X721	87-A70-061-010		VIB,XTAL 4.500MHZ CSA-309
C728	87-010-248-080		CAP, ELECT 220-10V	PT C.B			
C755	87-012-286-080		CAP, U 0.01-25	C1	87-010-387-080		CAP,E 470-25 M SME
C756	87-012-286-080		CAP, U 0.01-25	C2	87-010-403-080		CAP,E 3.3-50 M 11L SME
C757	87-012-188-080		C-CAP,U 47P-50 CH	C3	87-A11-148-080		CAP,TC U 0.1-50 Z F
C758	87-012-167-080		C-CAP,U 5P-50 CH	C4	87-A11-148-080		CAP,TC U 0.1-50 Z F
C761	87-010-196-080		CHIP CAPACITOR,0.1-25	△ C7	87-A10-922-090		CAP,CER 0.01-250 M F KH
C763	87-010-829-080		CAP, U 0.047-16	△ C8	87-A10-922-090		CAP,CER 0.01-250 M F KH
C764	87-012-337-080		C-CAP,U 56P-50 CH	C13	87-A11-148-080		CAP,TC U 0.1-50 Z F
C765	87-012-286-080		CAP, U 0.01-25	CN101	88-805-042-690		CONN ASSY,4P
C769	87-010-408-080		CAP, ELECT 47-50 M 11L	CN103	87-A61-057-010		CONN,9P V THL-P09P-A1
C770	87-010-829-080		CAP, U 0.047-16	△ PR105	87-026-682-080		PROTECTOR,10A 491SERIES 60V
C771	87-010-383-080		CAP, ELECT 33-25 M 11L	△ PR106	87-026-682-080		PROTECTOR,10A 491SERIES 60V
C772	87-010-829-080		CAP, U 0.047-16	△ PT2	8Z-NF8-663-010		PT,SUB ZNF-8(H)
				△ PT101	8A-AR3-606-010		PT,AAR-3 (HC)
				△ RY1	87-A90-454-010		RELAY,12V DJ12D2-O(M)

REF. NO.	PART NO.	KANRI NO.	DESCRIPTION
SPEAKER C.B			
C1	87-010-190-080	C-CAP,S	0.01-50 ZF
C2	87-010-190-080	C-CAP,S	0.01-50 ZF
C4	87-010-190-080	C-CAP,S	0.01-50 ZF
C5	87-010-190-080	C-CAP,S	0.01-50 ZF
C6	87-010-190-080	C-CAP,S	0.01-50 ZF
C8	87-010-190-080	C-CAP,S	0.01-50 ZF
C9	87-010-190-080	C-CAP,S	0.01-50 ZF
C12	87-010-190-080	C-CAP,S	0.01-50 ZF
C13	87-010-190-080	C-CAP,S	0.01-50 ZF
C16	87-010-190-080	C-CAP,S	0.01-50 ZF
CN201	87-099-799-010	CONN,8P V B	8P-VH
CN202	87-009-663-010	CONN,6P V VH	
J901	87-033-210-010	TERMINAL,SPKR	8P LTS0810-1002
J902	87-A61-172-010	TERMINAL,SPKR	6P-LTS0610-1002

AC SW C.B

△ F101	87-035-370-010	FUSE,6.3A	250V T
△ F102	87-035-370-010	FUSE,6.3A	250V T
△ FC101	87-033-147-010	FUSE CLAMP,MT	20
△ FC102	87-033-147-010	FUSE CLAMP,MT	20
△ FC103	87-033-147-010	FUSE CLAMP,MT	20
△ FC104	87-033-147-010	FUSE CLAMP,MT	20
△ SW101	87-A90-165-010	SW,SL 1-2-3	SWS2301
△ T101	87-A60-317-010	TERMINAL, 1P	MSC
△ T102	87-A60-317-010	TERMINAL, 1P	MSC

MIC C.B

C601	87-010-196-080	C-CAP,S	0.1-25 ZF
C602	87-010-560-040	CAP,E	10-50 M 5L MA
C603	87-010-491-040	CAP,E	0.22-50 M 5L SRE
C604	87-A10-189-040	CAP,E	220-10 M 5L
C605	87-010-322-080	C-CAP,S	100P-50 J CH
C606	87-010-321-080	C-CAP,S	82P-50 J CH
C607	87-010-196-080	C-CAP,S	0.1-25 ZF
C608	87-010-186-080	C-CAP,S	4700P-50 KB
C609	87-010-188-080	C-CAP,S	6800P-50 KB
C610	87-010-560-040	CAP,E	10-50 M 5L MA

REF. NO.	PART NO.	KANRI NO.	DESCRIPTION
C611	87-010-322-080	C-CAP,S	100P-50 J CH
C612	87-010-177-080	C-CAP,S	820P-50 J SL
C613	87-010-552-040	CAP,E	22-16 M 5L SRE
C614	87-016-462-080	C-CAP,S	1-16 ZF
CN601	87-009-362-010	CONN,6P H	BLK BTMK
J601	87-A60-188-010	JACK,6.3	BLK MONO W/SW MIC
J602	87-A60-188-010	JACK,6.3	BLK MONO W/SW MIC

KEY CON C.B

C652	87-010-196-080	C-CAP,S	0.1-25 Z F
C653	87-012-154-080	C-CAP,S	150P-50 J CH
C654	87-010-183-080	C-CAP,S	2700P-50 KB
C655	87-010-196-080	C-CAP,S	0.1-25 ZF
C656	87-012-154-080	C-CAP,S	150P-50 J CH
C657	87-010-183-080	C-CAP,S	2700P-50 KB
C658	87-012-145-080	C-CAP,S	270P-50 J CH
C659	87-010-177-080	C-CAP,S	820P-50 K SL
C670	87-012-145-080	C-CAP,S	270P-50 J CH
C671	87-010-177-080	C-CAP,S	820P-50 K SL

C672	87-010-196-080	C-CAP,S	0.1-25 ZF
C674	87-010-196-080	C-CAP,S	0.1-25 ZF
C675	87-010-263-080	CAP,E	100-10 M 11L SME
C676	87-010-374-080	CAP,E	47-10 M 11L SME
CN508	87-099-669-010	CONN,8P H	TUC-08PX-B1

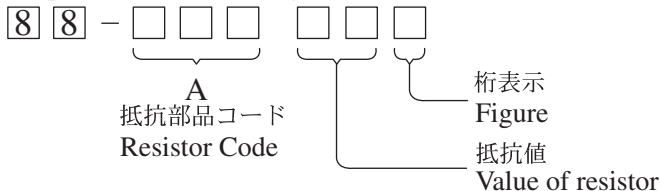
PROLOGIC SUB C.B

C101	87-010-405-080	CAP,E	10-50 M 11L SME
C102	87-010-260-080	CAP,E	47-25 M 11L SME
C103	87-010-405-080	CAP,E	10-50 M 11L SME
C104	87-010-404-080	CAP,E	4.7-50 M 11L SME
C105	87-010-402-080	CAP,E	2.2-50 M 11L SME
C106	87-010-402-080	CAP,E	2.2-50 M 11L SME
C107	87-010-404-080	CAP,E	4.7-50 M 11L SME
CN101	87-009-035-010	CONN,7P V	WHT PH

チップ抵抗部品コード/CHIP RESISTOR PART CODE

チップ抵抗部品コードの成り立ち

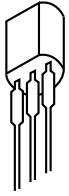
Chip Resistor Part Coding



チップ抵抗
Chip resistor

容量 Wattage	種類 Type	許容誤差 Tolerance	記号 Symbol	寸法/Dimensions (mm)			抵抗コード : A Resistor Code : A	
				外形/Form	L	W		t
1/16W	1005	± 5%	CJ		1.0	0.5	0.35	104
1/16W	1608	± 5%	CJ		1.6	0.8	0.45	108
1/10W	2125	± 5%	CJ		2	1.25	0.45	118
1/8W	3216	± 5%	CJ		3.2	1.6	0.55	128

TRANSISTOR ILLUSTRATION



E C B

CC5551
KTA1266GR
KTC3198GR



B C E

2SB1370E
FN1016
FP1016



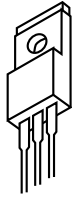
E C B

2SC1740SRS
2SC4115SRS
DTC114ES
KTA1267GR
KTC3199GR



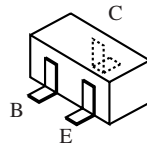
E C B

CSD1489B



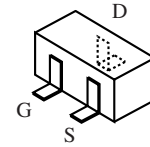
G D S

2SK3053



B C E

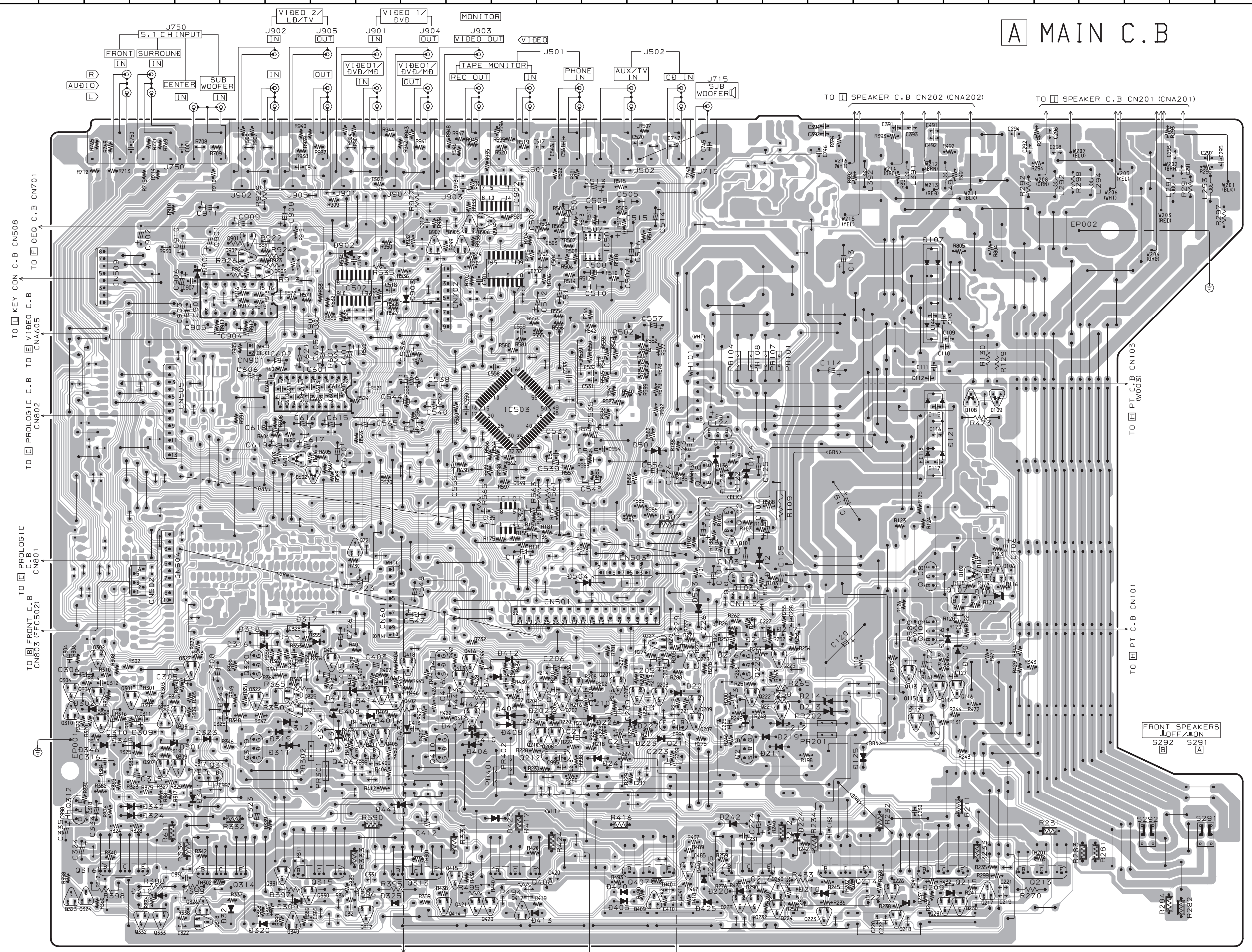
2SA1037K(R) CSD1306E
2SA1235F DTA144WK
2SA1514K(S) DTC124EKA
2SC2714O DTC144EKA
2SC3052F RT1N144C
2SD1306E RT1P141C
CMBT5401 RT1P144C
CMBT5551



G D S

2SK2158

A MAIN C.B



TO KEY CON C.B CN508
 TO VIDEO C.B CNA605
 TO PROLOGIC C.B CN802
 TO PROLOGIC C.B CN801
 TO FRONT C.B CN803 (FFC502)

TO GEO C.B CN702
 TO FRONT C.B CN802 (FFC802)
 TO TUNER C.B CN601 (FFC601)

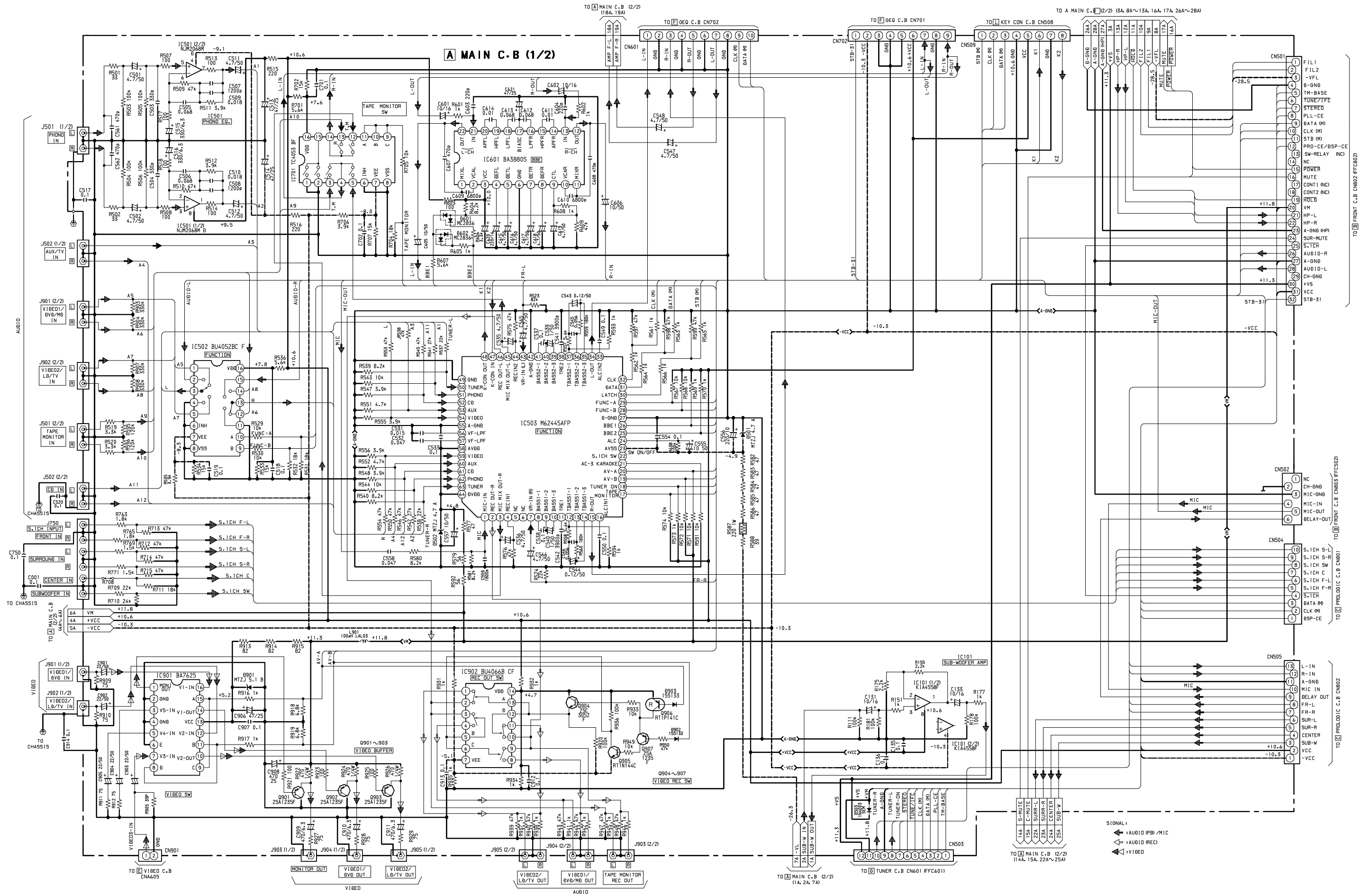
TO SPEAKER C.B CN202 (CNA202)
 TO SPEAKER C.B CN201 (CNA201)

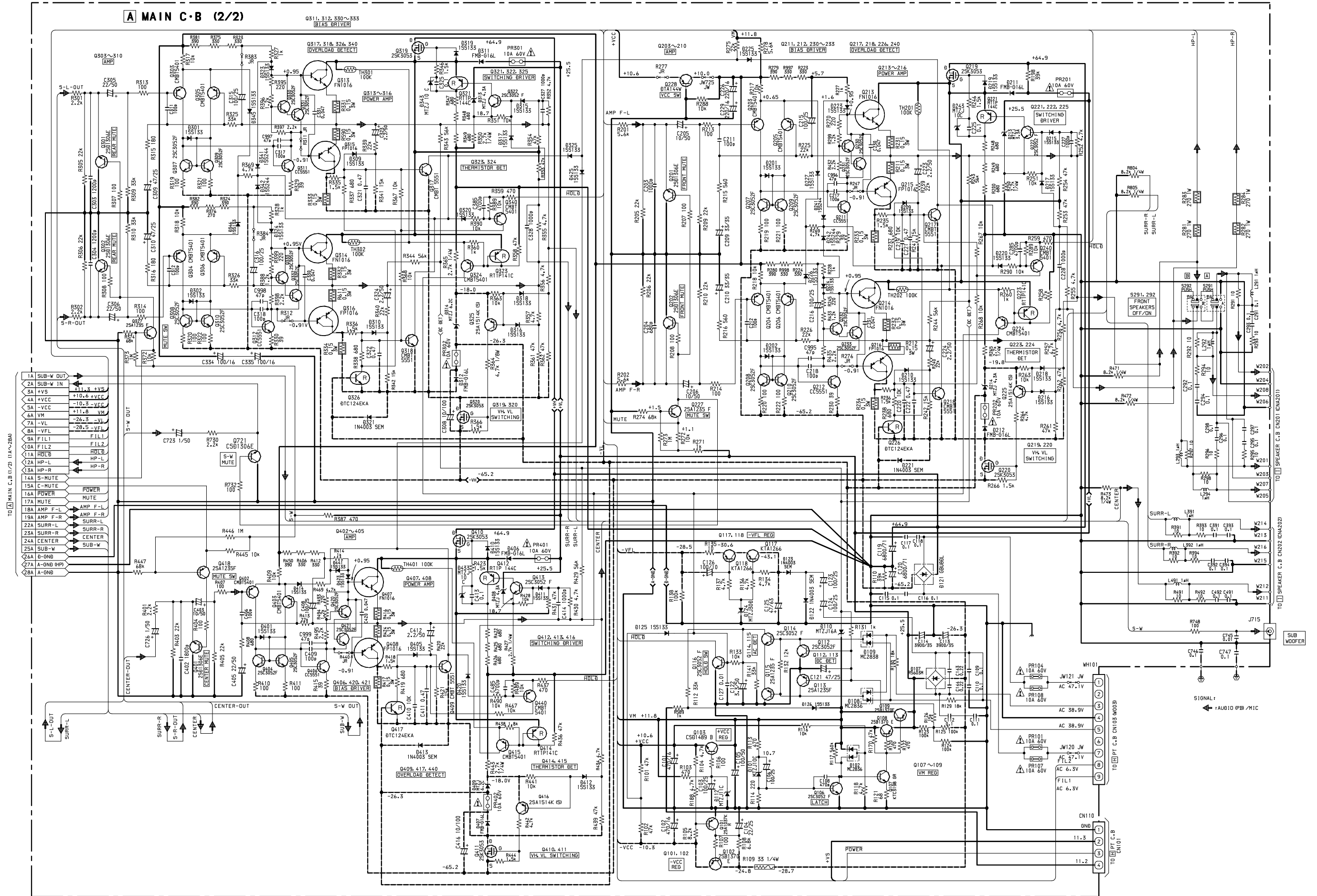
FRONT SPEAKERS
 S292 S291

TO PT. C.B CN103 (W003)
 TO PT. C.B CN101

A
B
C
D
E
F
G
H
I
J
K
L
M
N
O
P
Q
R
S
T
U

SCHEMATIC DIAGRAM - 1 (MAIN 1/2)



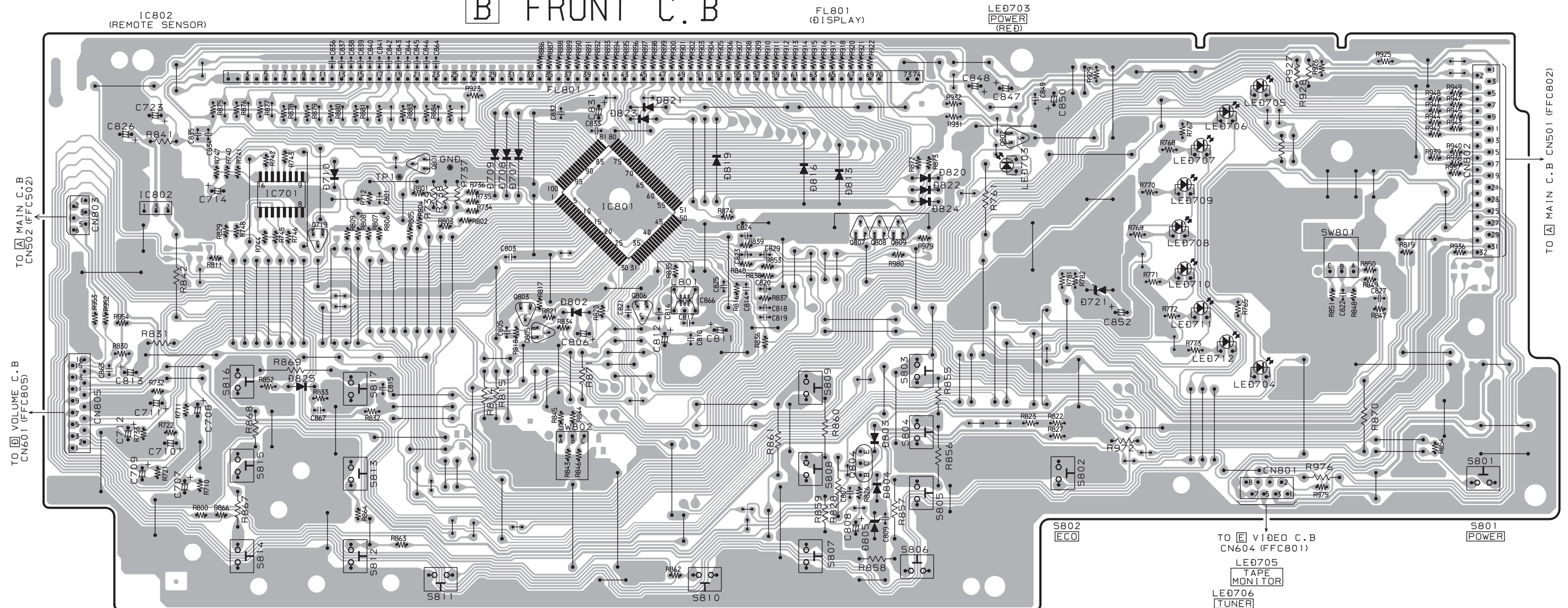


WIRING - 2 (FRONT)

32 31 30 29 28 27 26 25 24 23 22 21 20 19 18 17 16 15 14 13 12 11 10 9 8 7 6 5 4 3 2 1

A
B
C
D
E
F
G
H
I
J
K
L
M
N
O
P
Q
R
S
T
U

B FRONT C.B



TO MAIN C.B
CN502 (FFC502)

TO VOLUME C.B
CN601 (FFC805)

TO MAIN C.B CN501 (FFC802)

S816 [BBE]
S815 [T-BASS]
S814 [VIDEO 5.1 CH/BAND]

S817 [ENTER]
S813 [A (UP)]
S812 [TUNING V (DOWN)]

S811 [MIC]

SW802 [MULTI JOG]

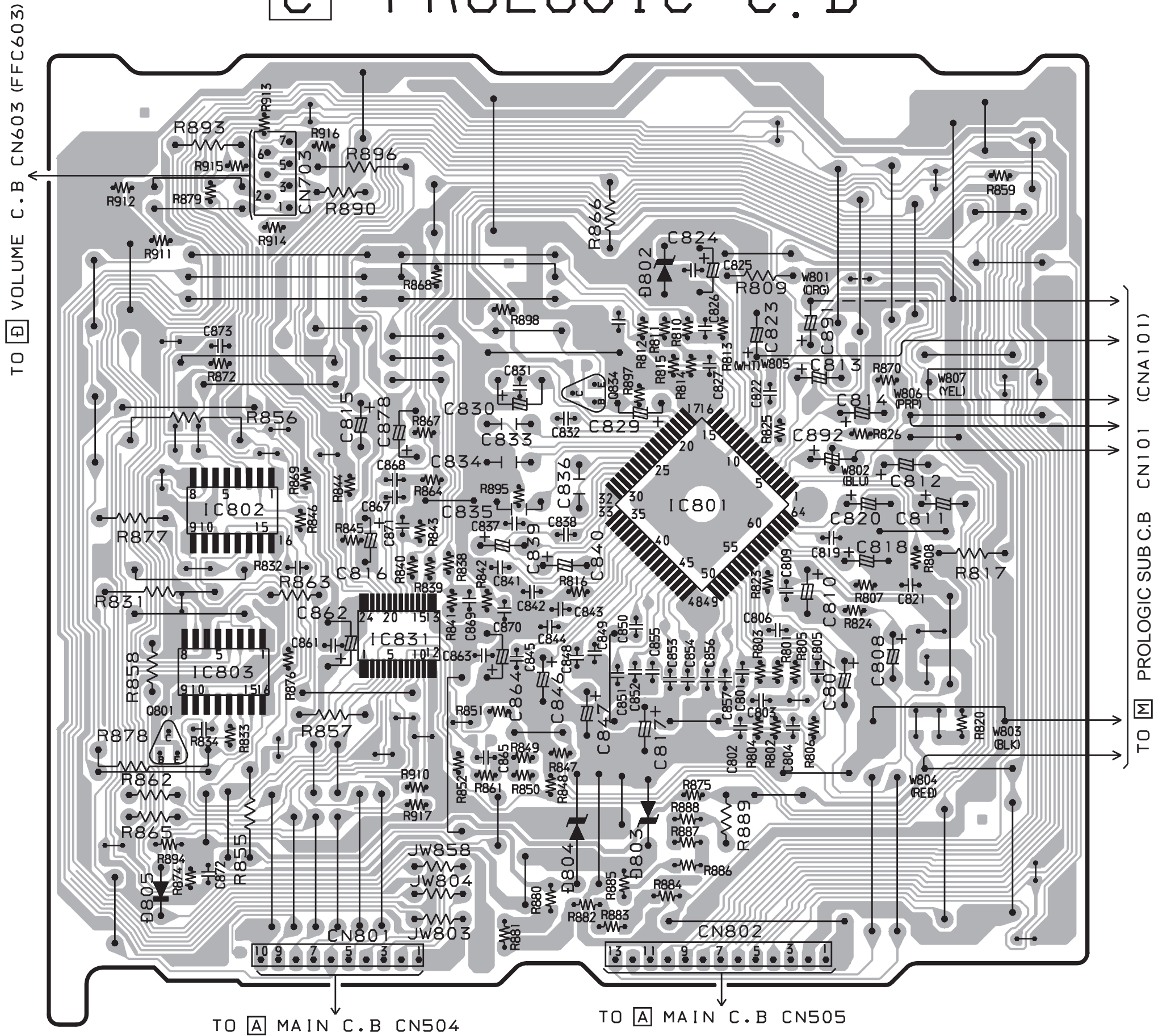
S810 [ECHO]

S809 [DOLBY SURROUND]
S808 [DSP]
S807 [GEO]

S803 [RT]
S804 [PTY]
S805 [AC]
S806 [TAPE MONITOR]

S802 [ECO]
S801 [POWER]
TO VIDEO C.B
CN604 (FFC801)
LED705 [TAPE MONITOR]
LED706 [TUNER]
LED707 [PHONO]
LED709 [CD]
LED708 [AUX]
LED710 [VIDEO 1 BVD/MB]
LED711 [VIDEO 2 LB/TV]
LED712 [VIDEO 3]
LED704 [5.1 CH INPUT]
LED704-712 [FUNCTION INDICATOR]
SW801 [FUNCTION]

C PROLOGIC C.B



TO [D] VOLUME C.B. CN603 (FFC603)

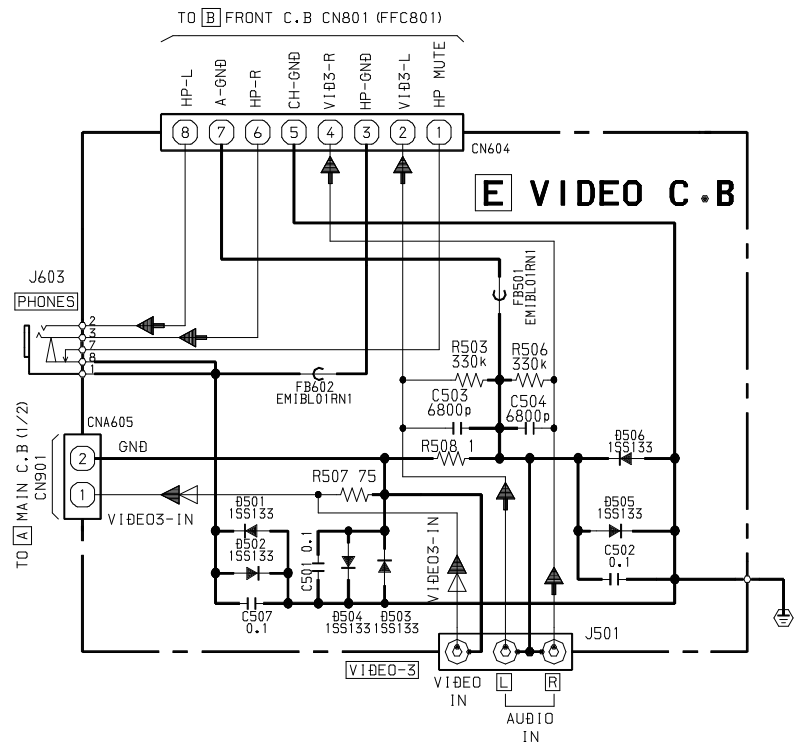
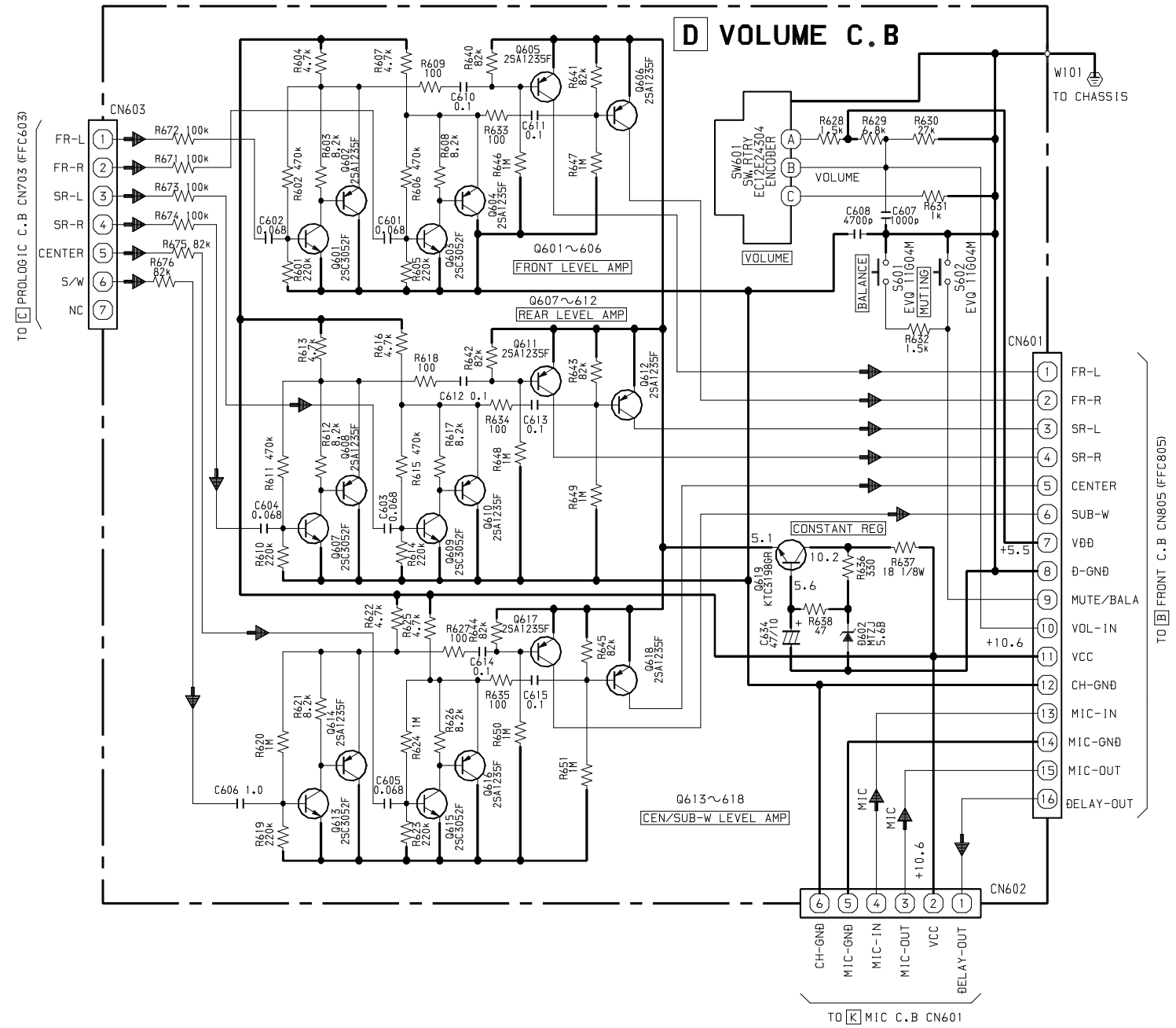
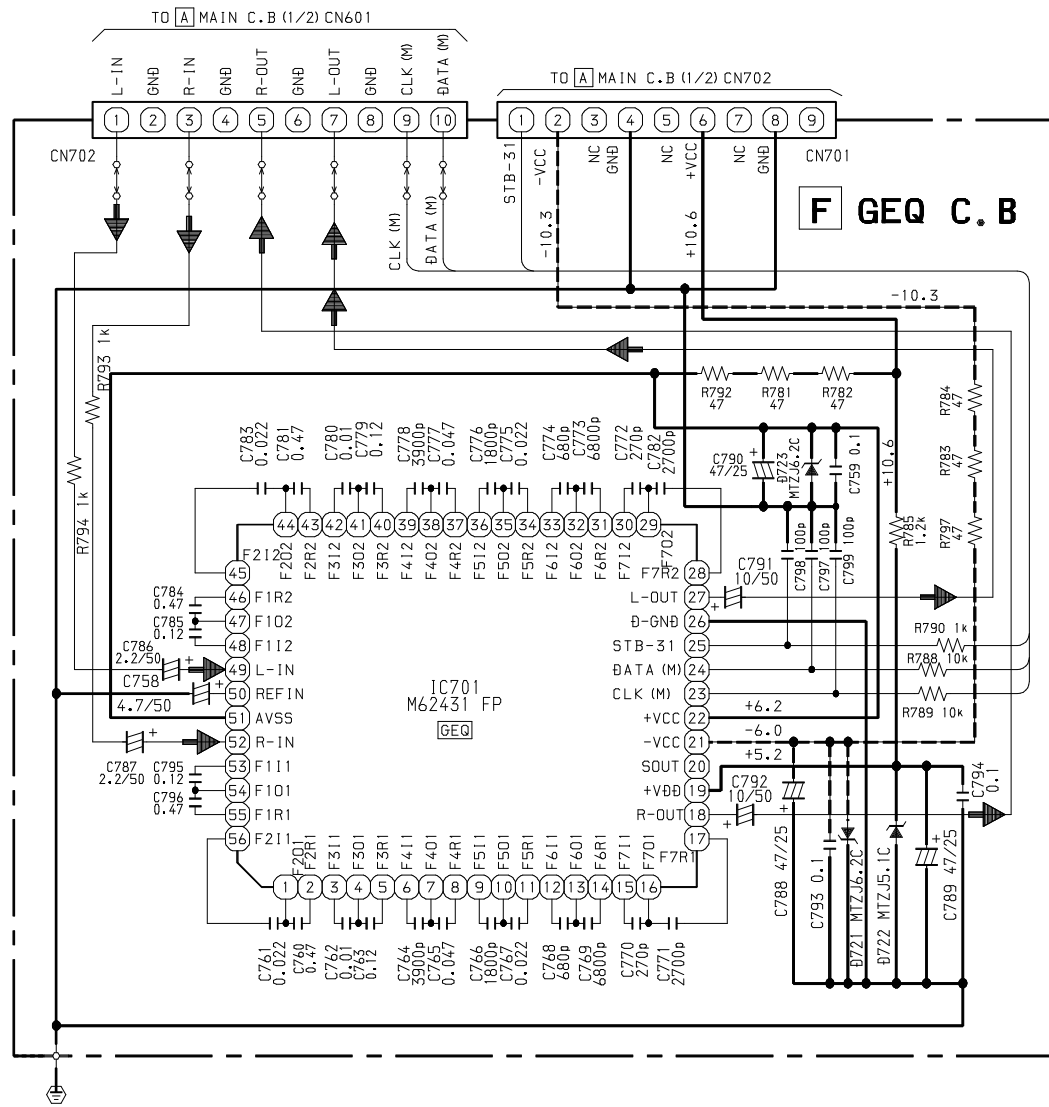
TO [A] MAIN C.B. CN504

TO [A] MAIN C.B. CN505

TO [M] PROLOGIC SUB C.B. CN101 (CNA101)

A
B
C
D
E
F
G
H
I
J
K
L
M
N
O
P
Q
R
S
T
U

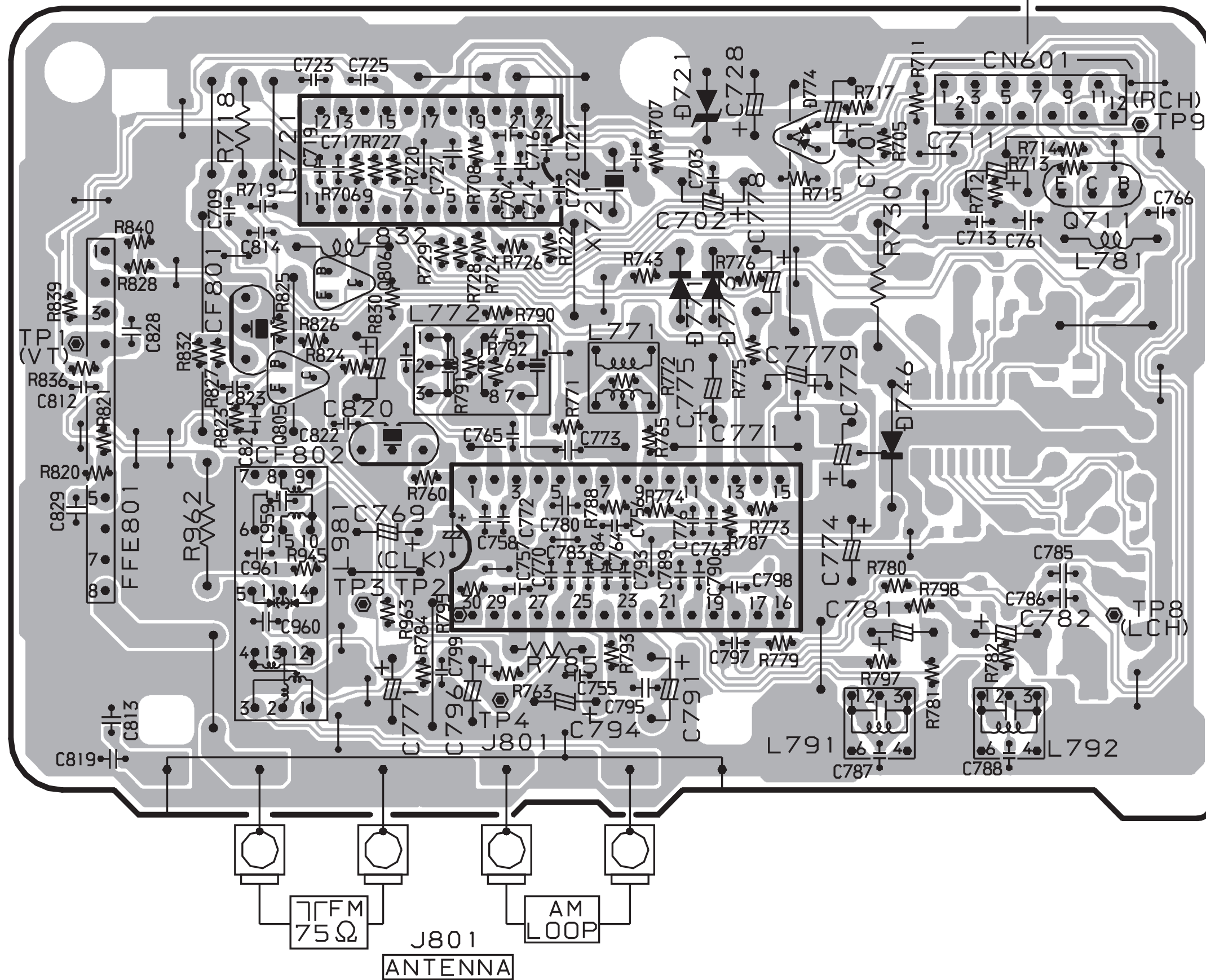
SCHEMATIC DIAGRAM - 5 (VOLUME / VIDEO / GEQ)



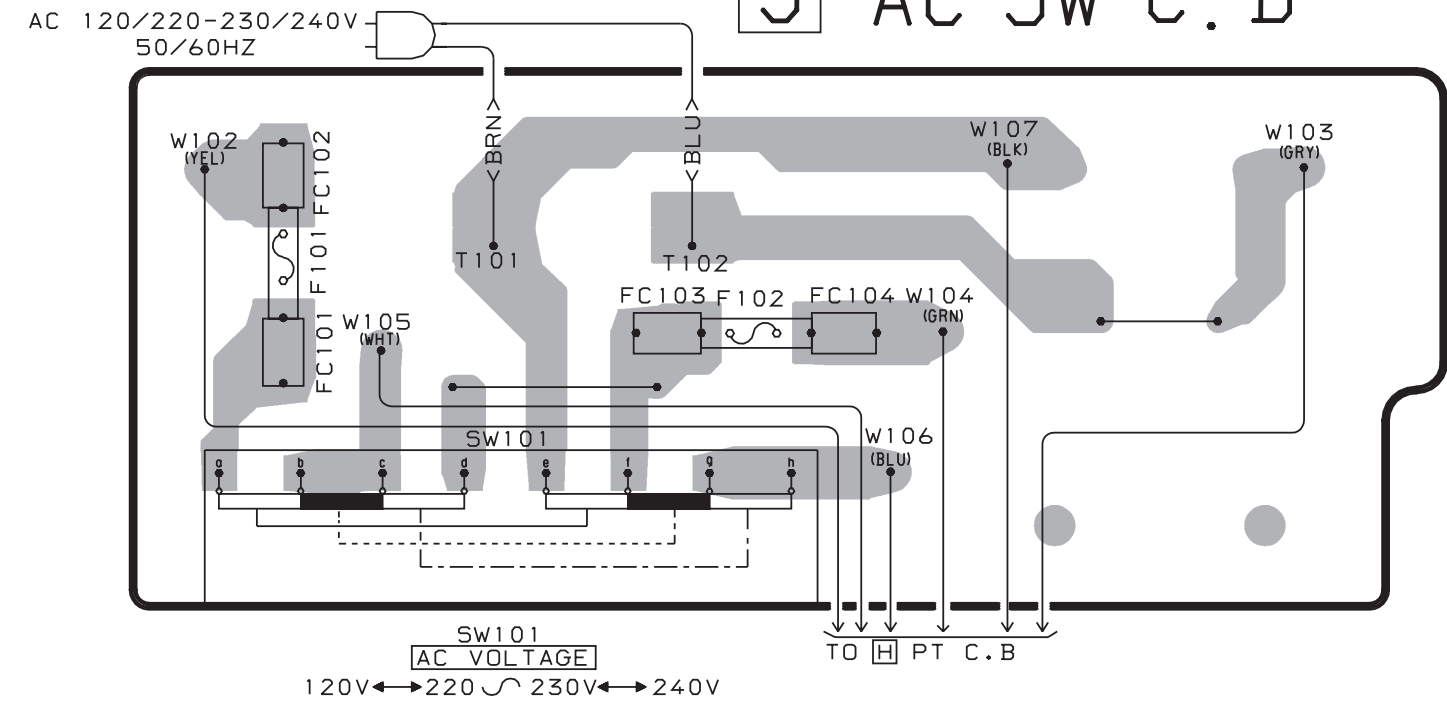
SIGNAL:
 ▲ : AUDIO (PB) / MIC
 ▲ : VIDEO

G TUNER C.B

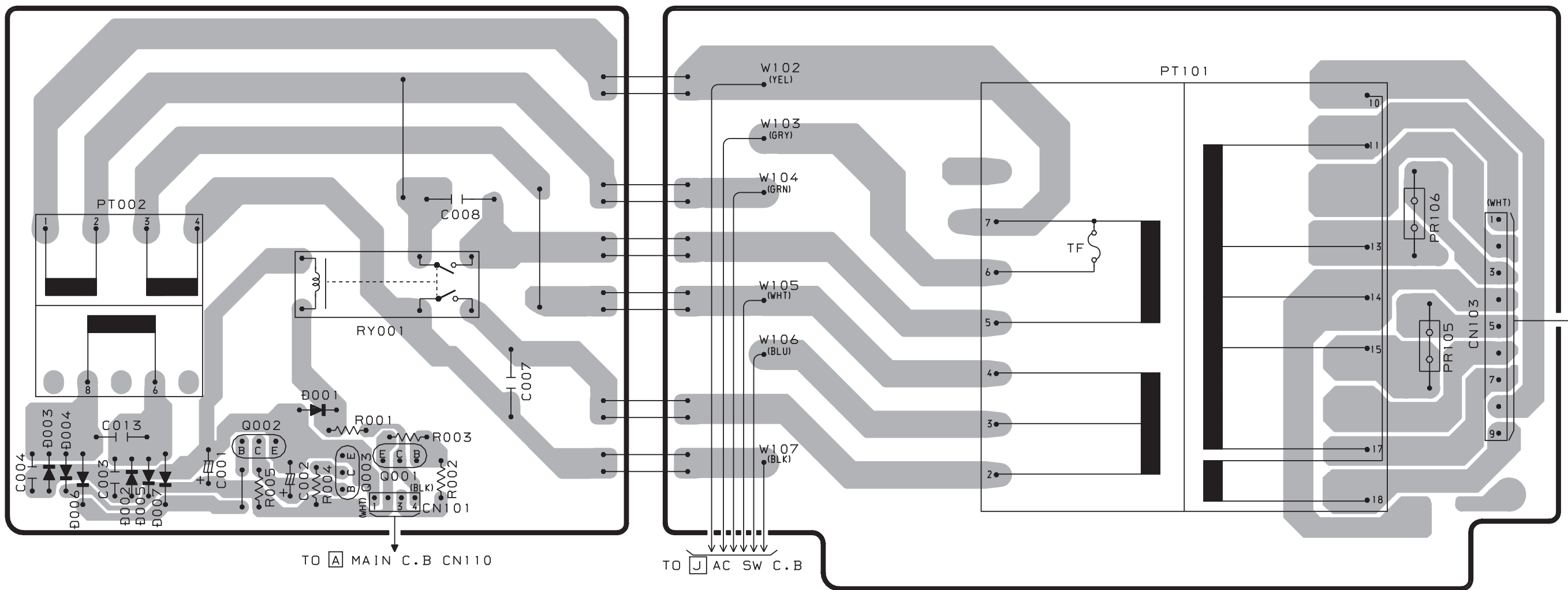
TO A MAIN C.B CN503 (FFC601)



J AC SW C.B

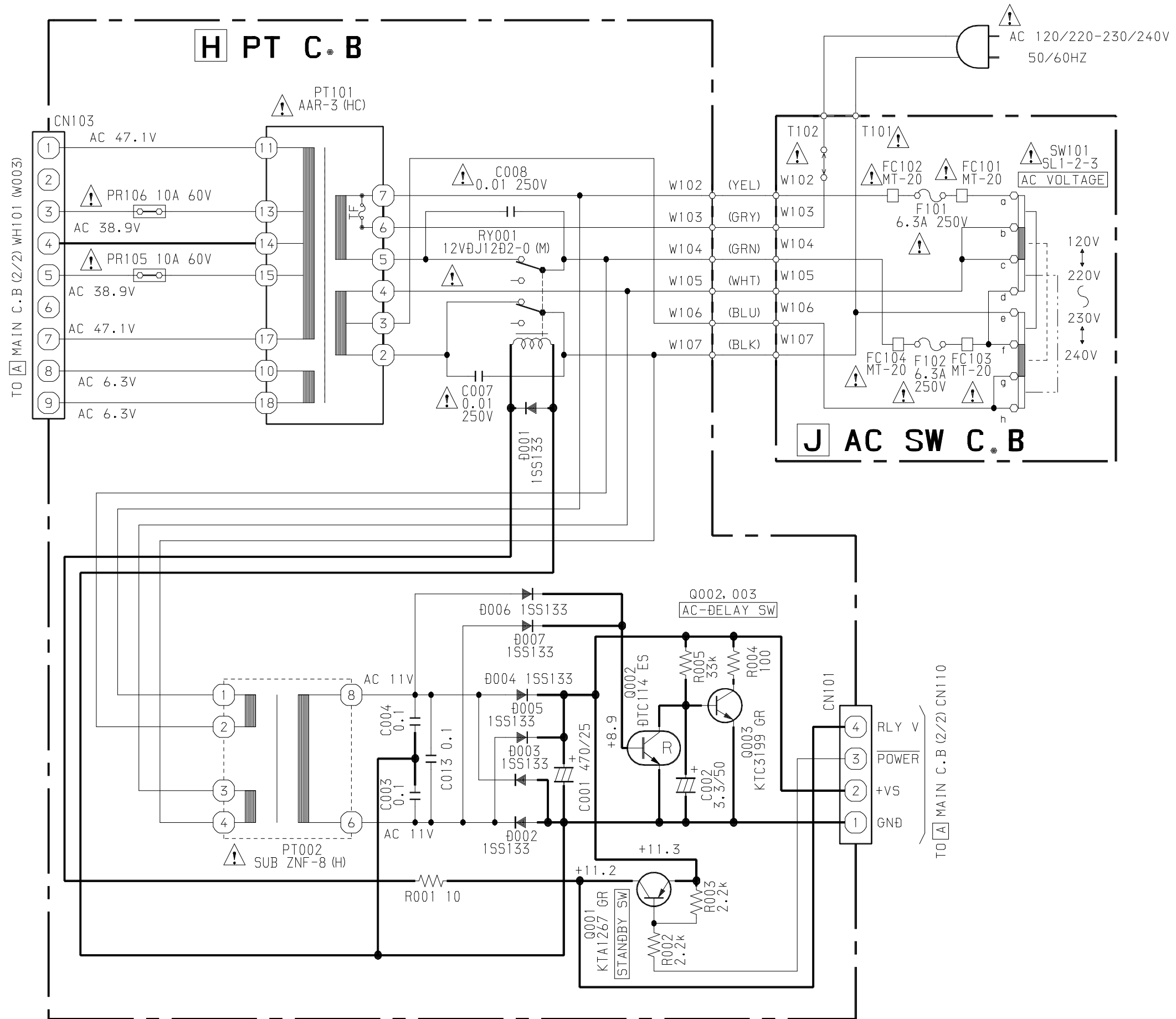


H PT C.B

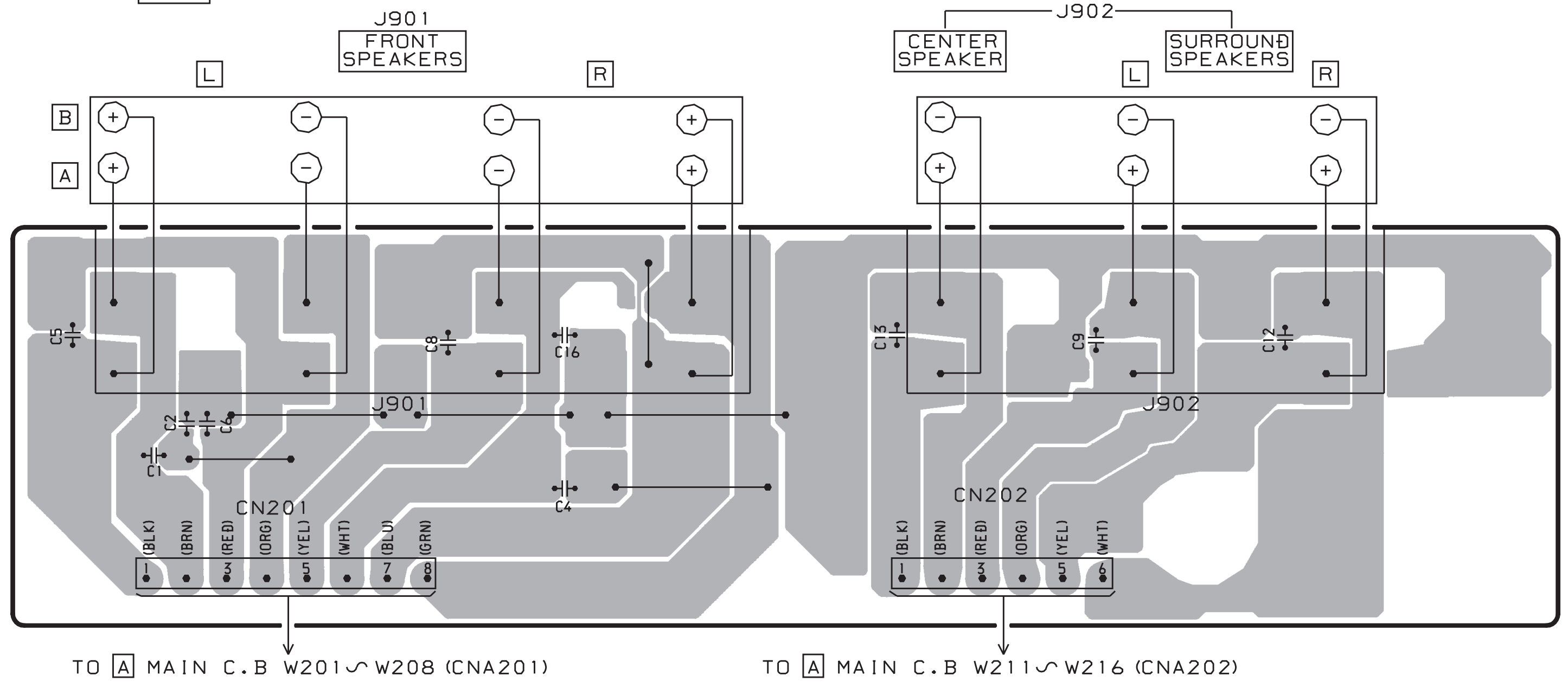


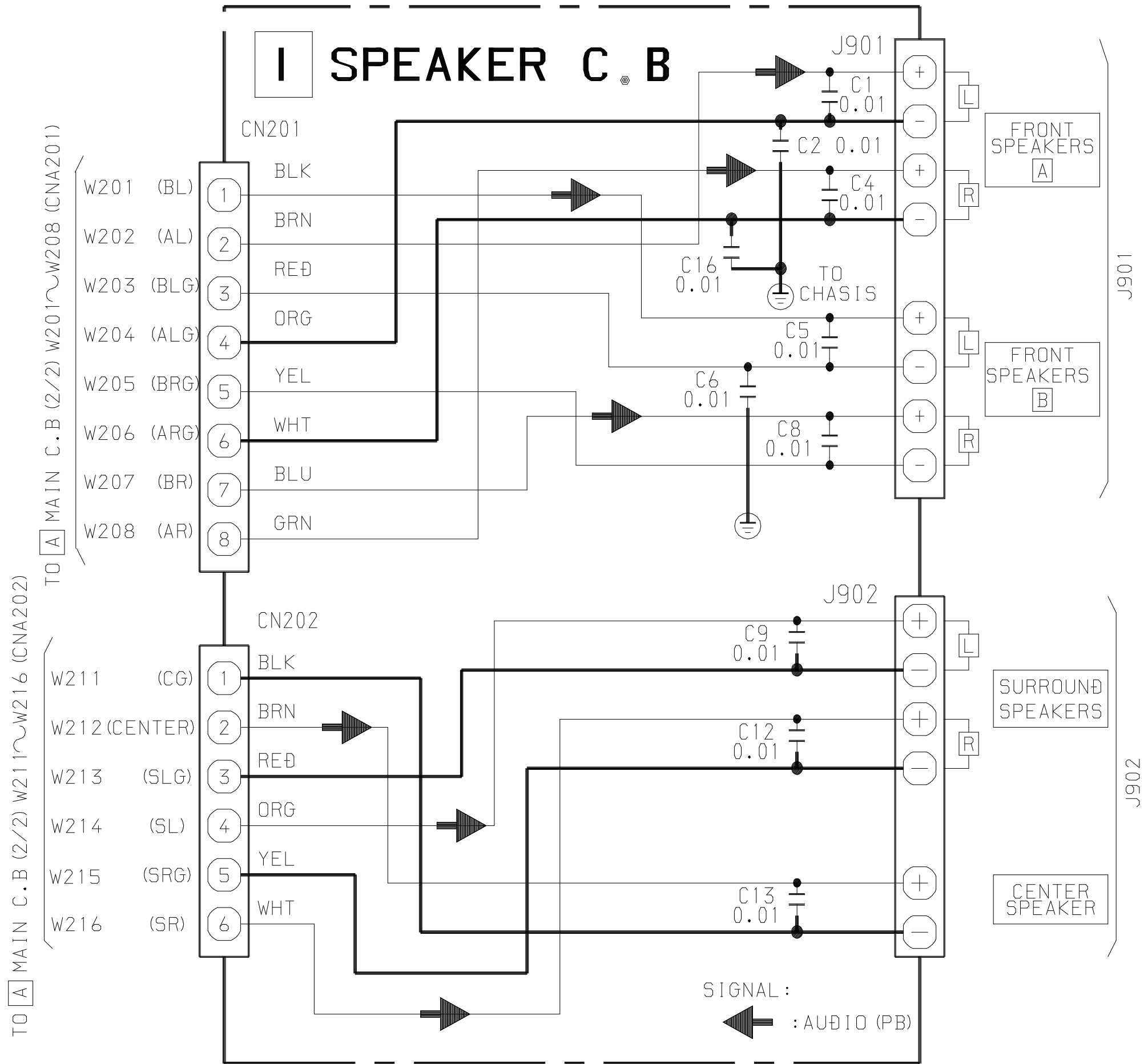
A
B
C
D
E
F
G
H
I
J
K
L
M
N
O
P
Q
R
S
T
U

SCHEMATIC DIAGRAM-7 (PT/AC SW)

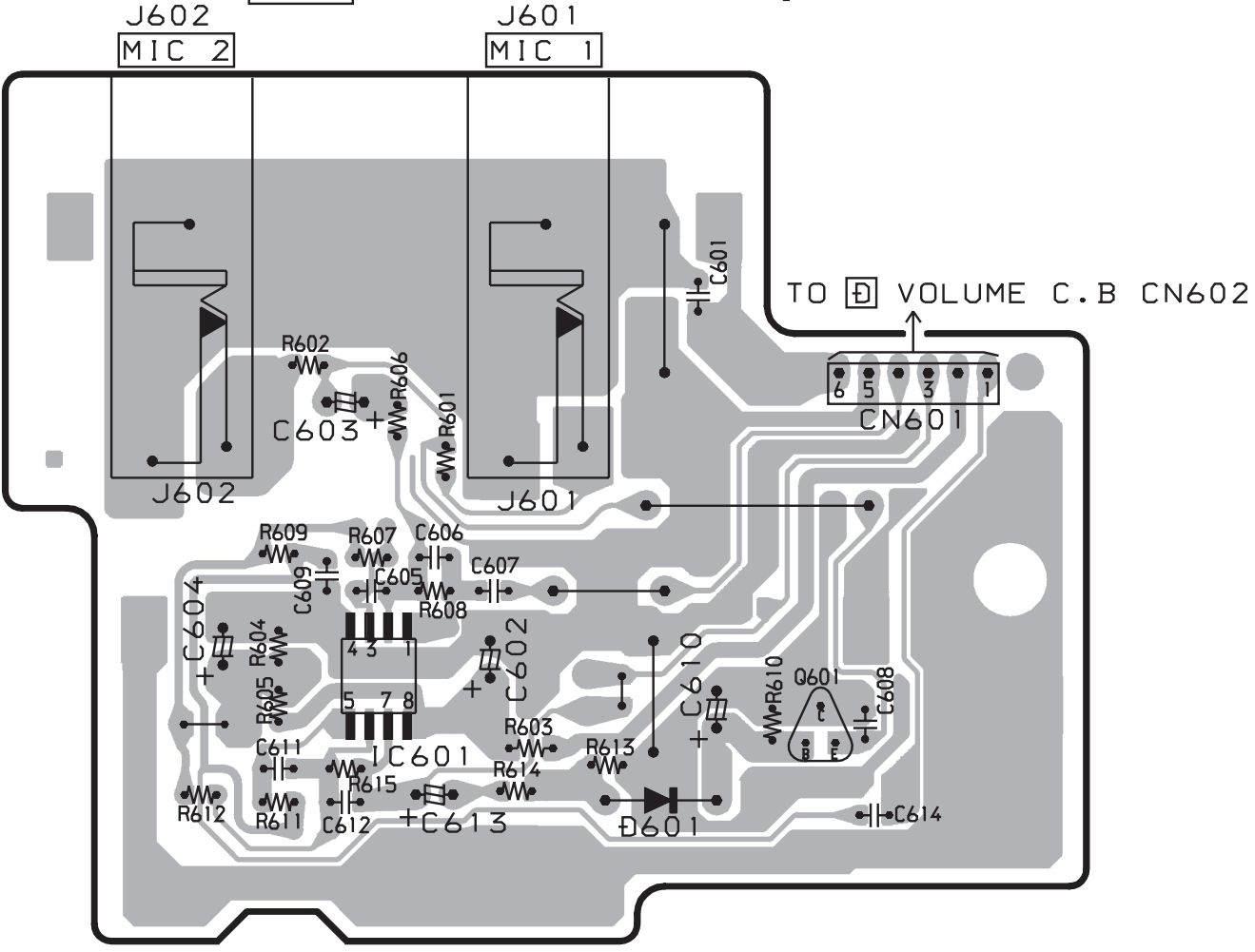


I SPEAKER C.B

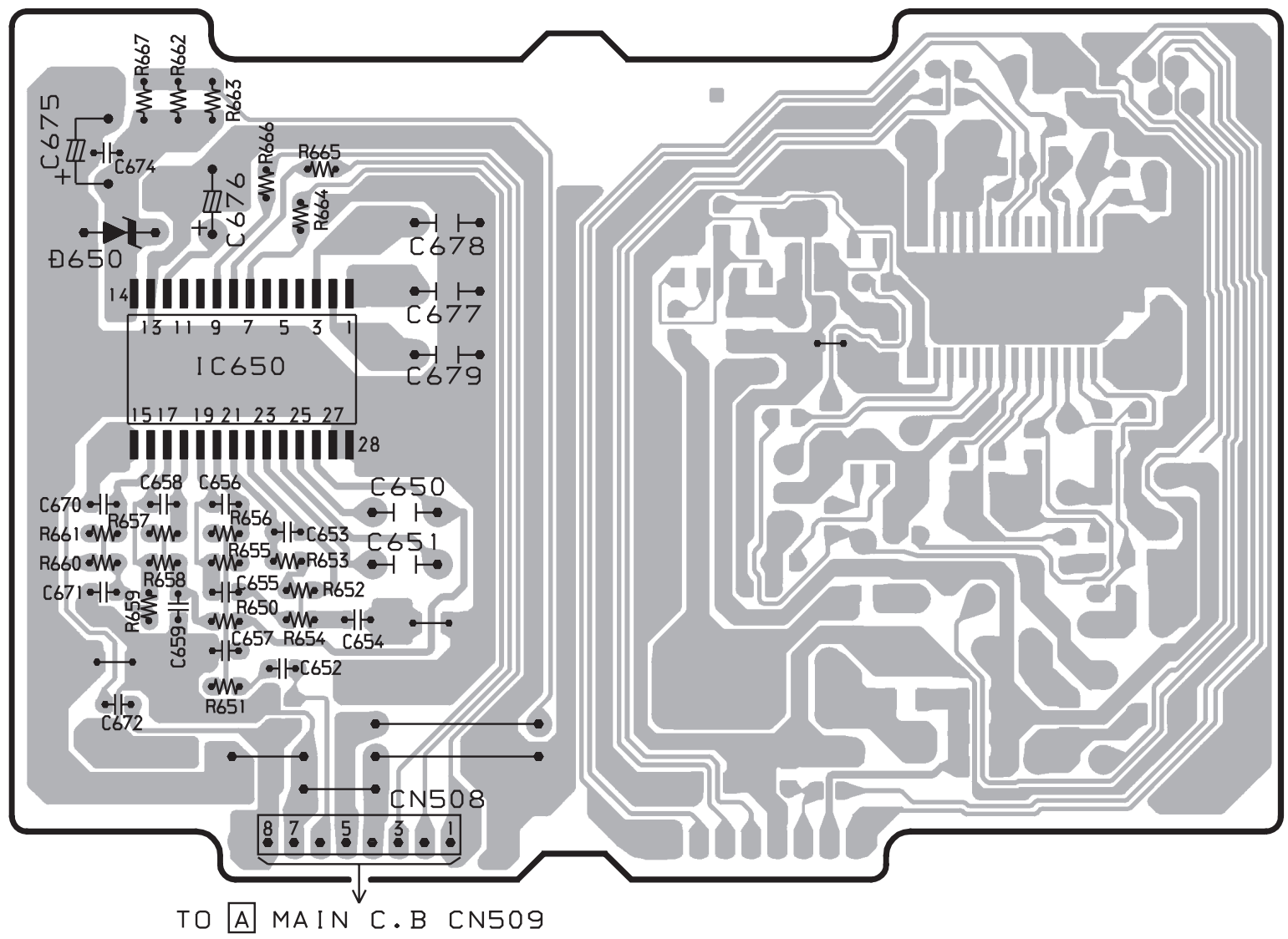


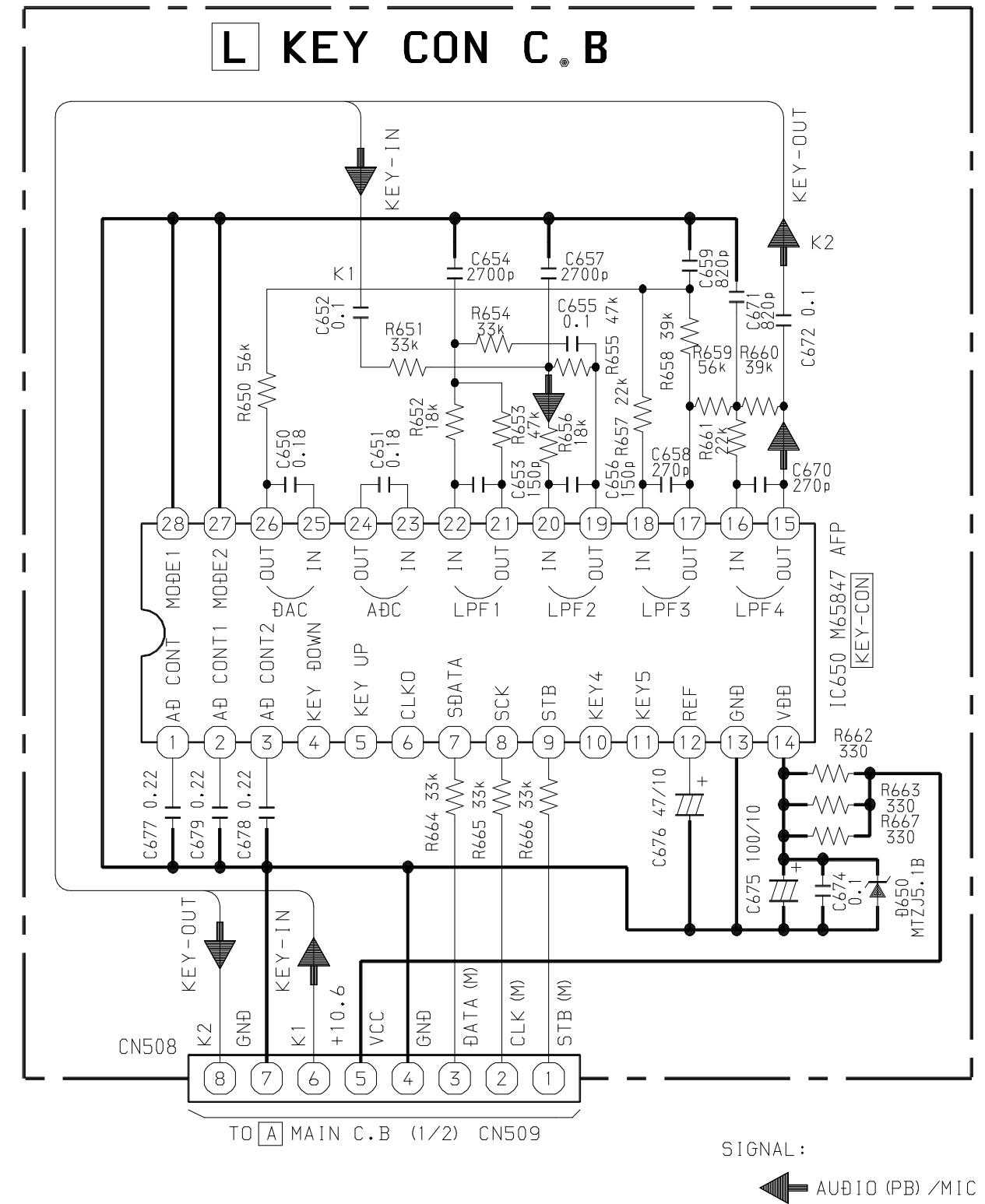
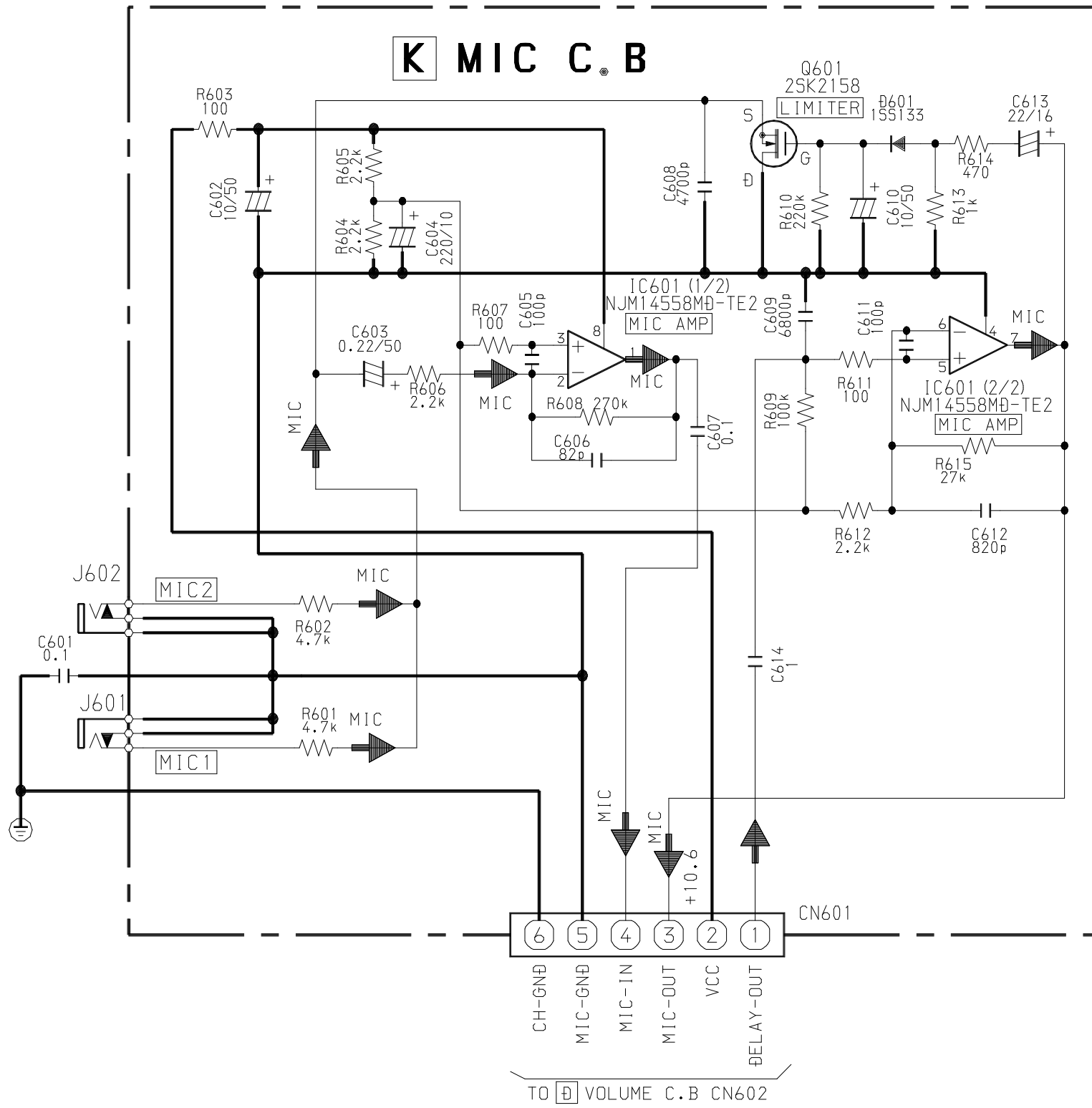


K MIC C.B



L KEY CON C.B



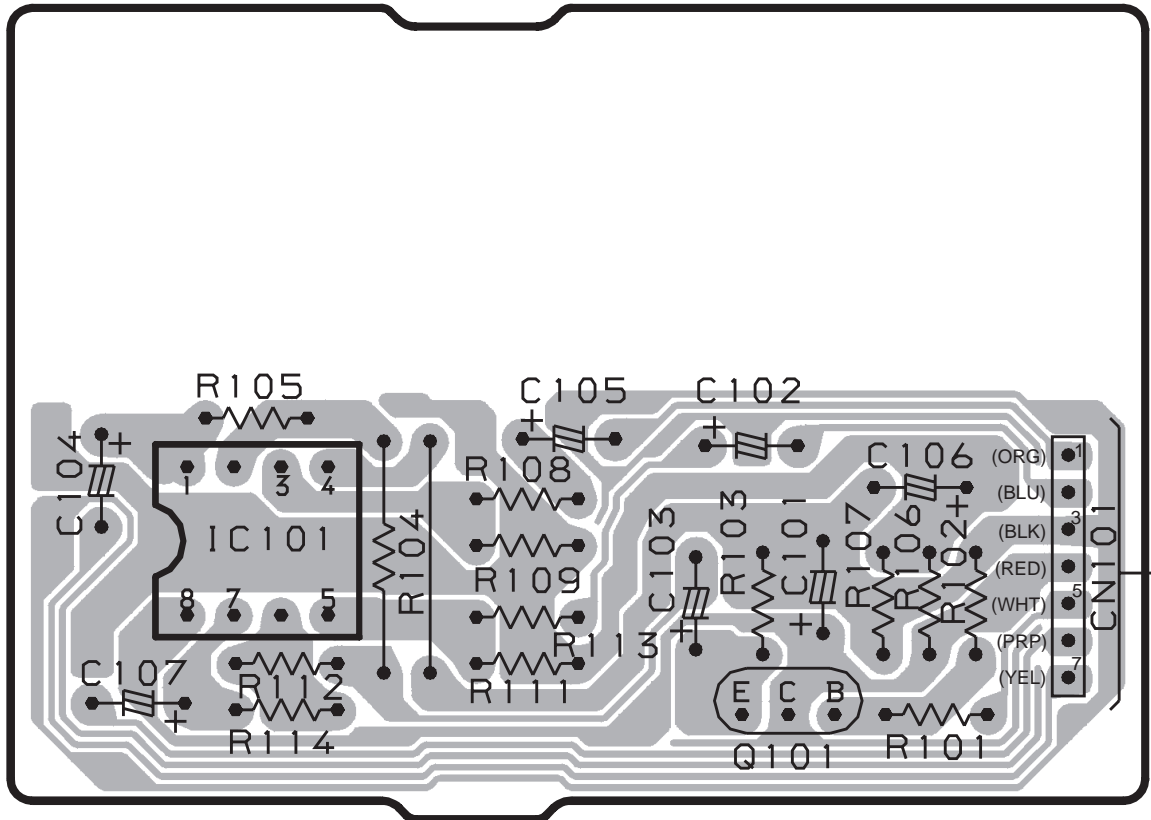


SIGNAL:
 AUDIO (PB) / MIC

15	14	13	12	11	10	9	8	7	6	5	4	3	2	1
----	----	----	----	----	----	---	---	---	---	---	---	---	---	---

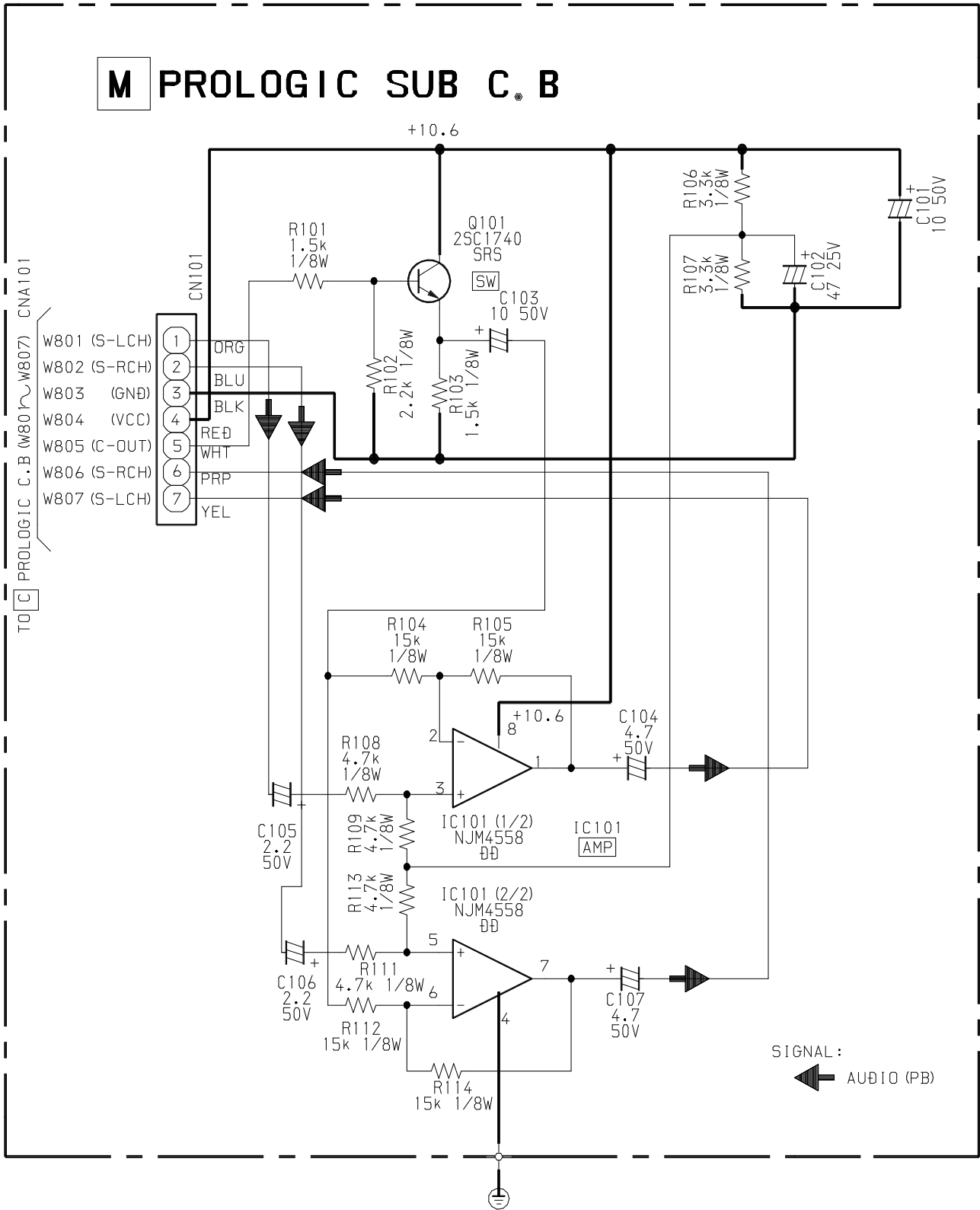
A
B
C
D
E
F
G
H
I
J
K
L
M
N
O
P
Q
R
S
T
U

M PROLOGIC SUB C.B

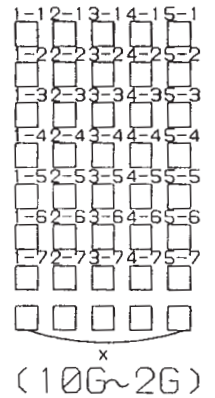
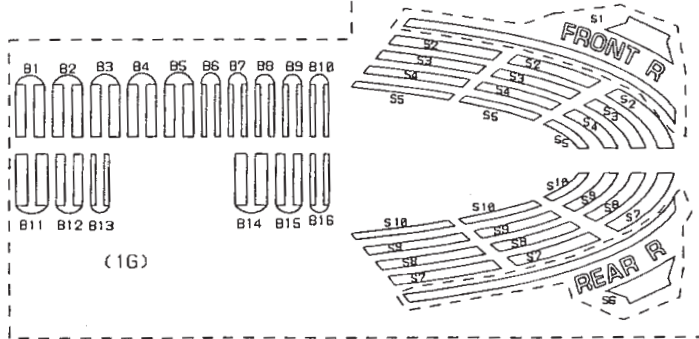
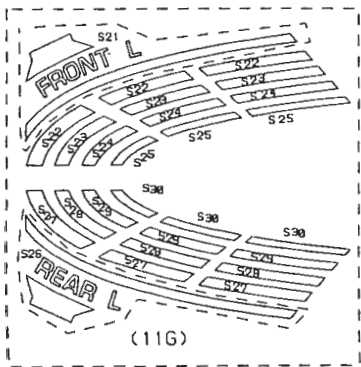
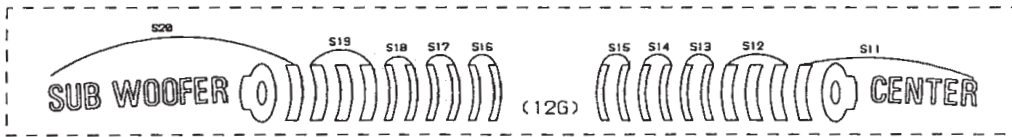
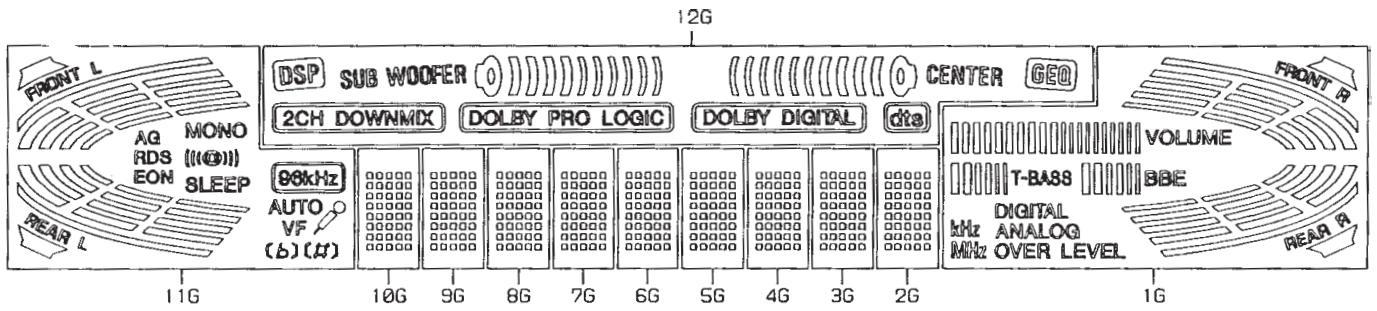


TO [C] PROLOGIC C.B
 W801 W807
 (CNA101)












SCHEMATIC DIAGRAM – 10 (PROLOGIC SUB)



FL (BJ759GK) GRID ASSIGNMENT AND ANODE CONNECTION
 GRID ASSIGNMENT

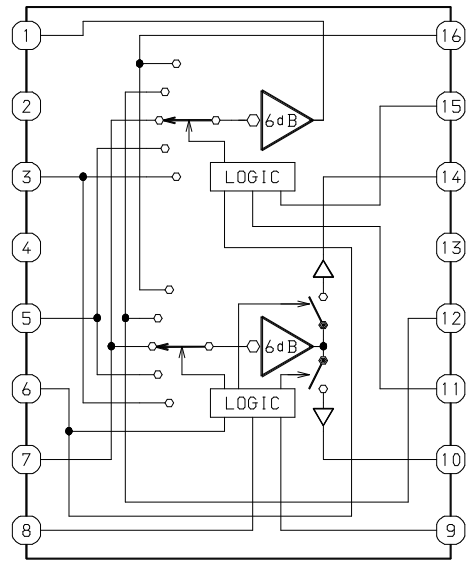


ANODE CONNECTION

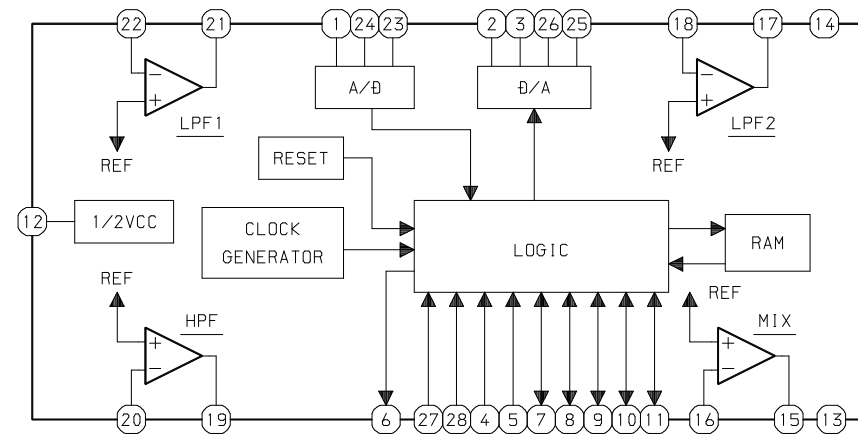
	12G	11G	10G~2G	1G
P1		-	1-1	-
P2		-	2-1	B1
P3		-	3-1	B2
P4	S11	-	4-1	B3
P5	S12	-	5-1	B4
P6	S13	-	1-2	B5
P7	S14	-	2-2	B6
P8	S15	-	3-2	B7
P9		-	4-2	B8
P10		-	5-2	B9
P11	S16	-	1-3	B10
P12	S17	-	2-3	VOLUME
P13	S18	-	3-3	B11
P14	S19	-	4-3	B12
P15	S20	-	5-3	B13
P16		MONO	1-4	T-BASS
P17	-	AG	2-4	B14
P18	-		3-4	B15
P19	-	RDS	4-4	B16
P20	-	SLEEP	5-4	BBE
P21	-	EON	1-5	DIGITAL
P22	-		2-5	ANALOG
P23	-	AUTO	3-5	OVER LEVEL
P24	-	VF 	4-5	kHz
P25	-		5-5	MHz
P26	-		1-6	-
P27	-	S25	2-6	S5
P28	-	S24	3-6	S4
P29	-	S23	4-6	S3
P30	-	S22	5-6	S2
P31	-	S21	1-7	S1
P32	-	S30	2-7	S10
P33	-	S29	3-7	S9
P34	-	S28	4-7	S8
P35	-	S27	5-7	S7
P36	-	S26	X	S6

IC BLOCK DIAGRAM

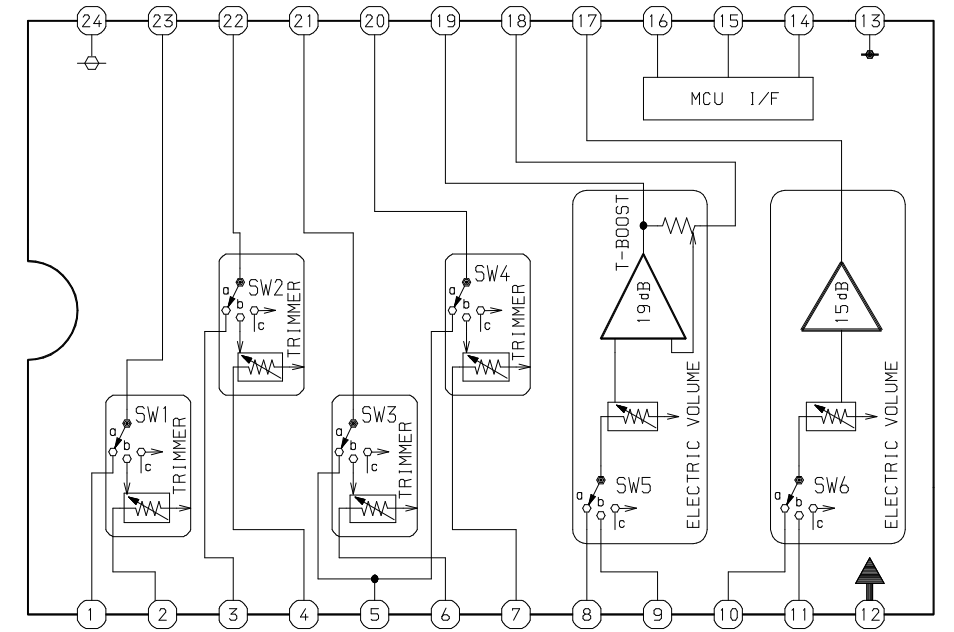
IC, BA7625



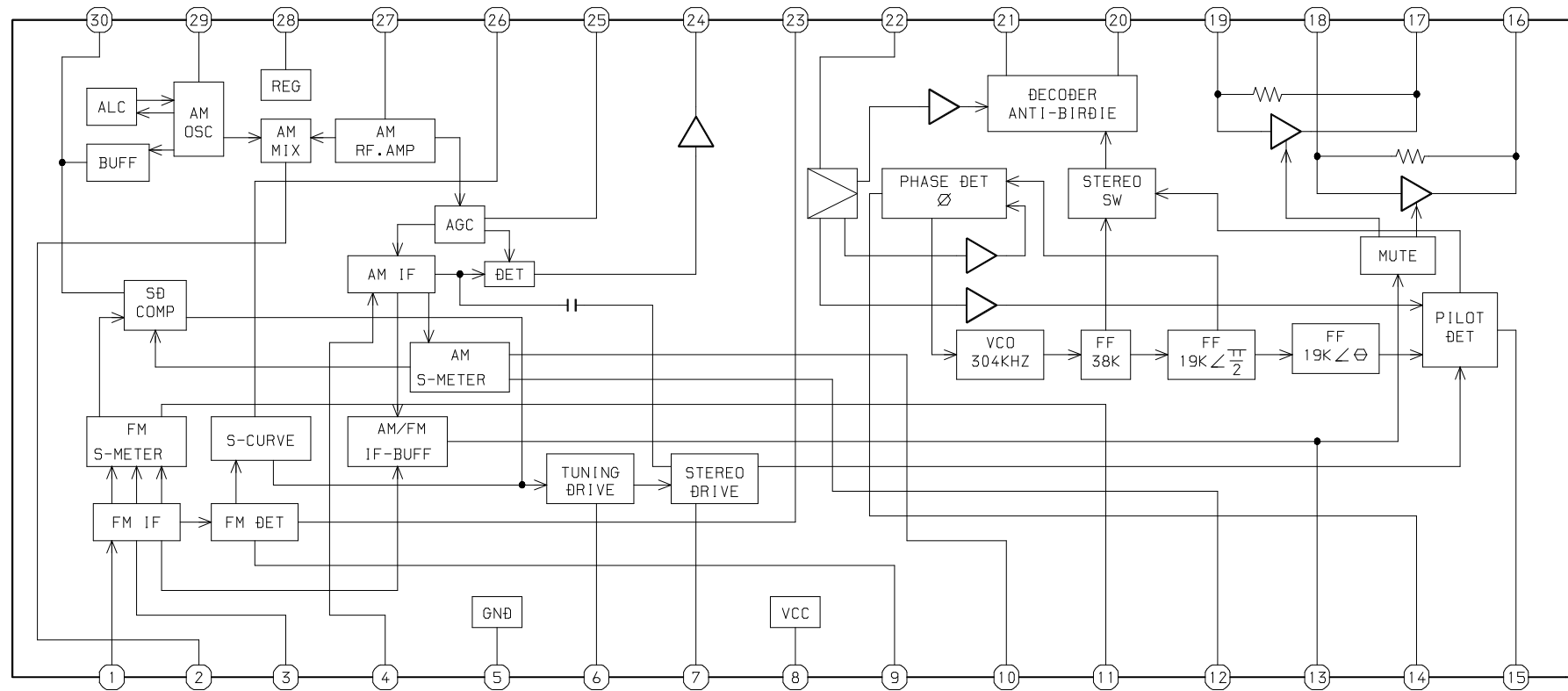
IC, M65847AFP



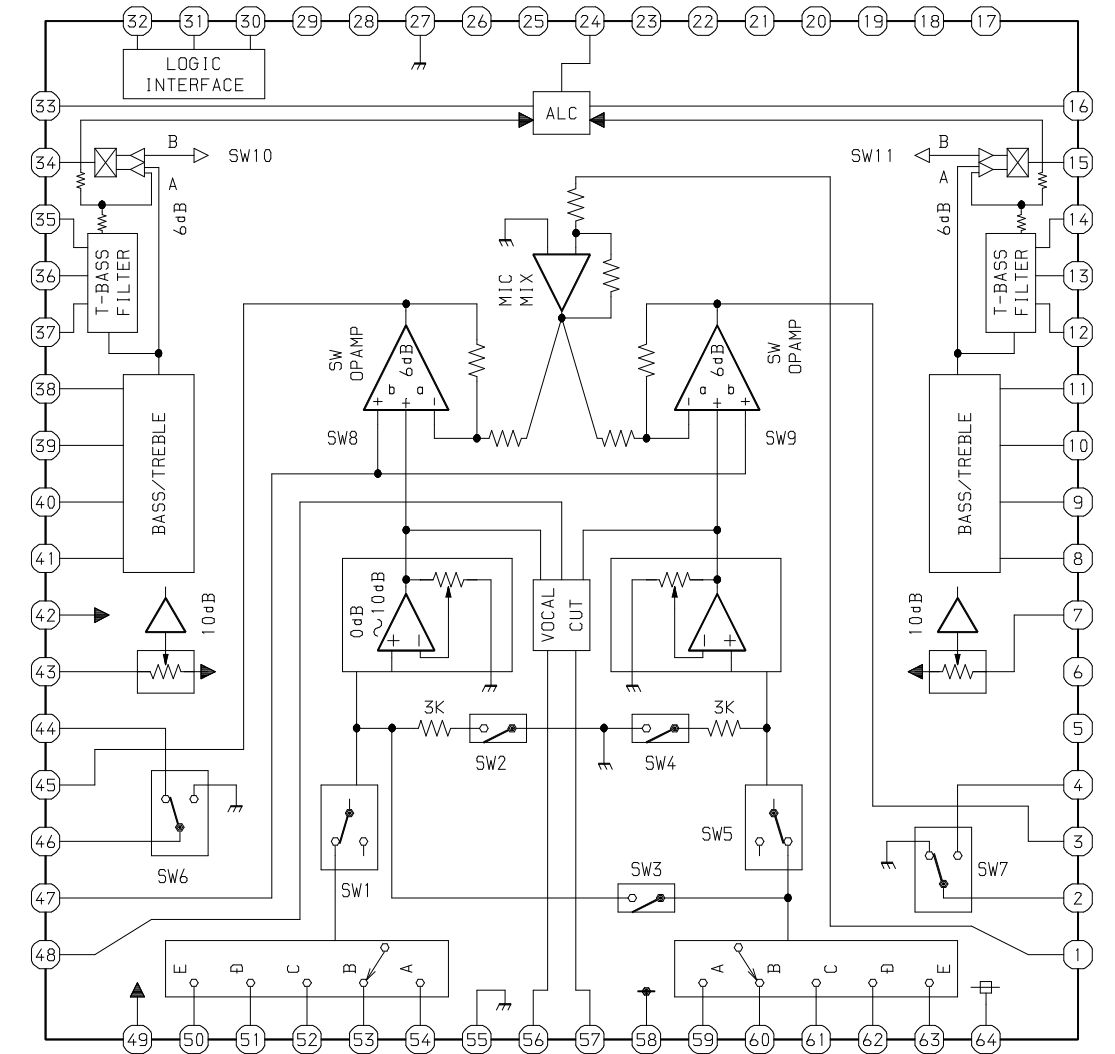
IC, M62491FP



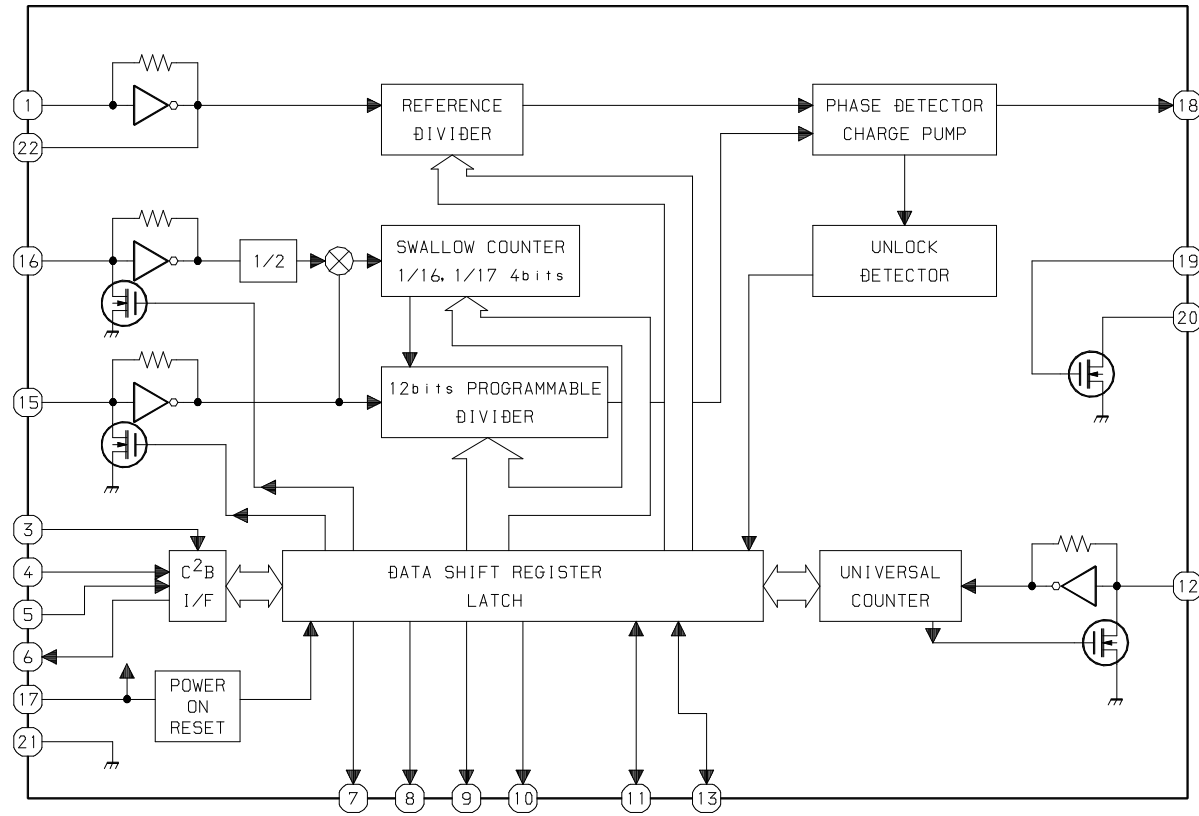
IC, LA1837NL



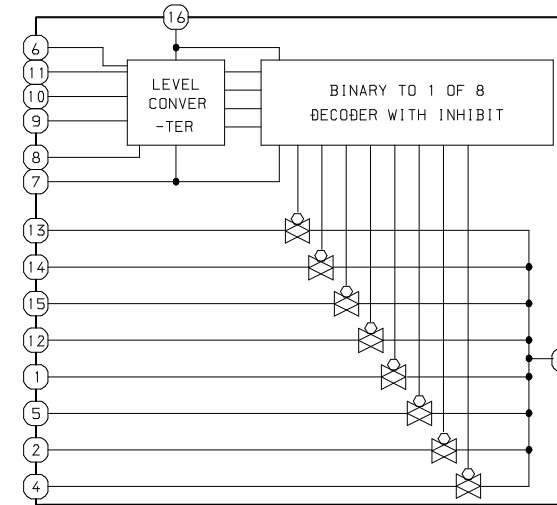
IC, M62445AFP



IC, LC72131D



IC, HD74HC4051FP

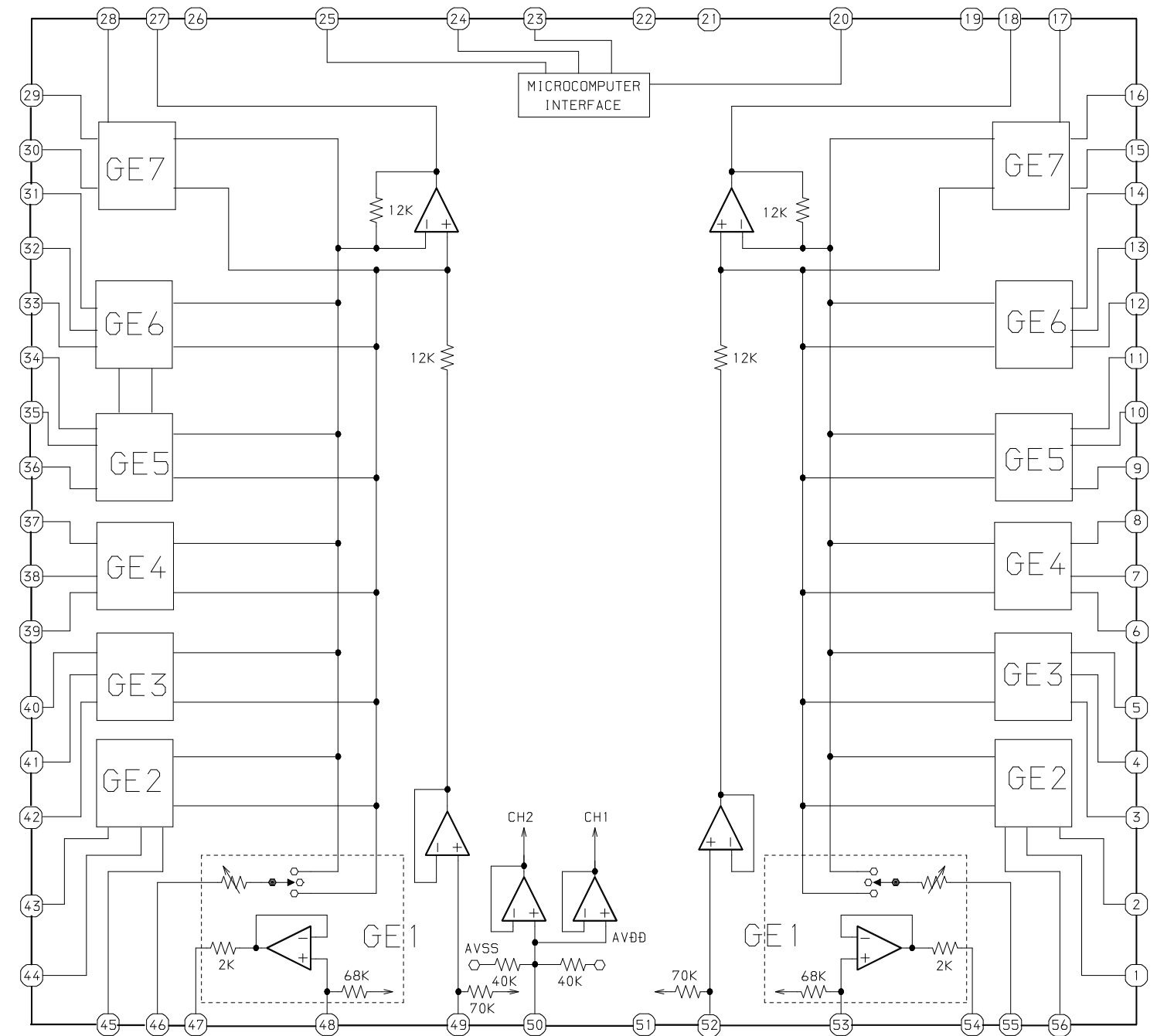


FUNCTION TABLE

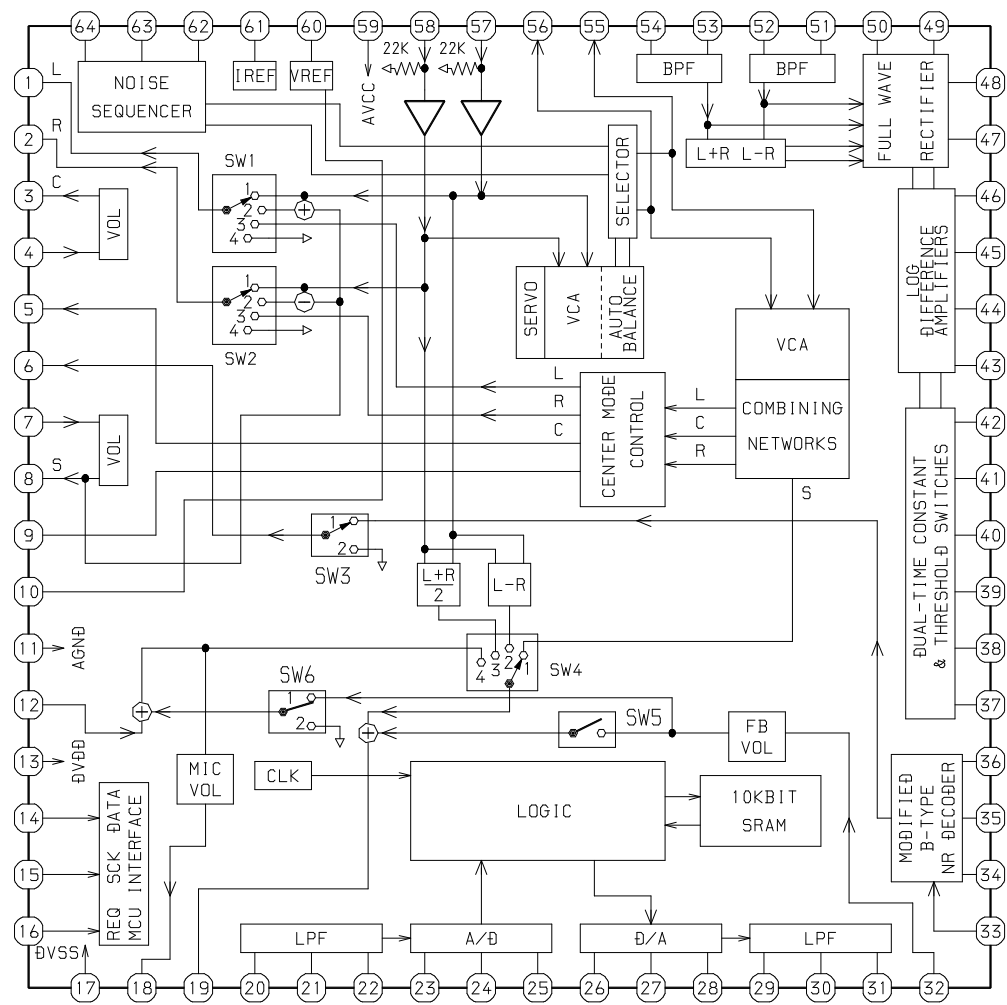
INHIBIT	SELECT			ON SWITCH
	C	B	A	
L	L	L	L	X0
L	L	L	H	X1
L	L	H	L	X2
L	L	H	H	X3
L	H	L	L	X4
L	H	L	H	X5
L	H	H	L	X6
L	H	H	H	X7
H	X	X	X	—

H: HIGH VOLTAGE LEVEL
L: LOW VOLTAGE LEVEL
X: IMMATERIAL

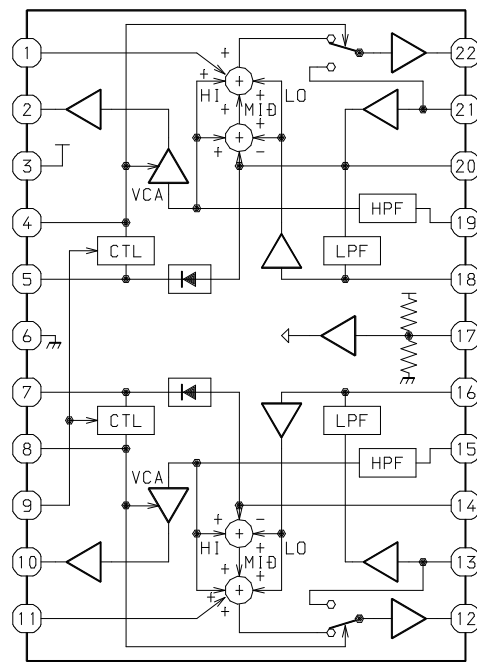
IC, M62431FP



IC, M62463AFP



IC, BA3880S



IC DESCRIPTION

IC, UPD780228GF-076-3BA

Pin No.	Pin Name	I/O	Description
1	$\overline{\text{O-K-SCAN}}$	O	Switch scan timing output.
2	O-PLL-CE	O	PLL IC chip enable output.
3	O-DATA (M)	O	Data output for sound.
4	$\overline{\text{I-TUNE/IFC}}$	I	TUNE-IF count serial data input.
5	O-STB (M)	O	Latch strobe output for sound CTRL.
6	O-MUTE	O	System mute ON/OFF output.
7	O-CLK (M)	O	Clock output.
8	O-SUR-MUTE	O	SURROUND amp mute ON/OFF output.
9	$\overline{\text{O-POWER}}$	O	System power supply ON/OFF output.
10	O-PRO-CE	O	DOLBY PROLOGIC IC chip enable output.
11	O-STB-31	O	GEQ IC chip enable output.
12	I-TM-BASE	I	Reference clock input for timer watch.
13	NC	–	Not connected.
14	$\overline{\text{TAPE-MON}}$	O	Function LED of tape monitor ON/OFF output.
15	$\overline{\text{PWR-LED}}$	O	Power LED ON/OFF output.
16	$\overline{\text{5.1CH}}$	O	5.1CH LED ON/OFF output.
17	IC	–	Connected to GND.
18	VSS	–	GND.
19	VDD	–	Power supply input.
20	NC	–	Not connected.
21	$\overline{\text{TUNER}}$	O	Function LED of TUNER ON/OFF output.
22	$\overline{\text{PHONO}}$	O	Function LED of PHONO ON/OFF output.
23	$\overline{\text{AUX}}$	O	Function LED of AUX ON/OFF output.
24	$\overline{\text{CD}}$	O	Function LED of CD ON/OFF output.
25	$\overline{\text{VIDEO1}}$	O	Function LED of VIDEO 1 ON/OFF output.
26	$\overline{\text{VIDEO2}}$	O	Function LED of VIDEO 2 ON/OFF output.
27	$\overline{\text{VIDEO3}}$	O	Function LED of VIDEO 3 ON/OFF output.
28	I-RDS-CLK	I	RDS clock input (Not used).
29	I-RDS-DATA	I	RDS serial data input (Not used).
30	$\overline{\text{RESET}}$	I	Reset input.
31	O-CONT1	O	Master VOL CTRL output for surround left & right.
32	O-CONT2	O	Master VOL CTRL output for center & sub woofer.
33	NC	–	Not connected.
34	$\overline{\text{I-RMC}}$	I	System remote control signal input.
35	NC	–	Not connected.
36	C-SHIFT	O	Micon clock shift output.
37	VDD1	–	Power supply input.
38, 39	X2, X1	–	4.19 MHz oscillator circuit.
40	VSS1	–	GND.
41	AVDD	–	Power supply input.
42	$\overline{\text{HOLD}}$	I	Power failure detected input "L" to stop and hold memory.
43	I-RE-VOL	I	Rotary encoder signal input (Main vol L & R).

Pin No.	Pin Name	I/O	Description
44	I-RDS-SIG	I	RDS signal level input (Not used).
45	I-JOG2	I	Rotary encoder signal input (Multi jog).
46	I-FU-JOG1	I	Rotary encoder signaal input (Func jog).
47	I-KEY2	I	Key input (A/D).
48	I-KEY1	I	Key input (A/D).
49	I-MULTI-LEVEL	I	Multi Level meter input.
50	AVSS	–	GND.
51~58	P36~P29	O	FL segement P36~P29 output.
59	P28/ $\overline{\text{GEQ}}$	O/I	FL segement P28 output / $\overline{\text{GEQ}}$ data input to diode (Not used).
60	P27/ $\overline{\text{LW}}$	O/I	FL segement P27 output / $\overline{\text{LW}}$ mode data input to diode (Not used).
61	P26/ $\overline{\text{DIGITAL-IN2}}$	O/I	FL segement P26 output / Digital input data input to diode (VIDEO1, VIDEO2 only) (Not used).
62	P25/ $\overline{\text{RDS}}$	O/I	FL segement P25 output / $\overline{\text{RDS}}$ data input to diode (Not used).
63	P24/ $\overline{\text{BBE}}$	O/I	FL segement P24 output / $\overline{\text{BBE}}$ data input to diode.
64	P23/ $\overline{\text{AMST/WIDE}}$	O/I	FL segement P23 output / $\overline{\text{AM stereo, wide band}}$ data input to diode (Not used).
65	P22/ $\overline{\text{AM10K}}$	O/I	FL segement P22 output / $\overline{\text{AM10kHz step}}$ data input to diode (Not used).
66	P21/ $\overline{\text{KARAOKE}}$	O/I	FL segement P21 output / $\overline{\text{KEY CON}}$ data input to diode.
67	P20/ $\overline{\text{OSD}}$	O/I	FL segement P20 output / $\overline{\text{OSD}}$ data input to diode (Not used).
68	P19/ $\overline{\text{AC-3}}$	O/I	FL segement P19 output / $\overline{\text{DOLBY DIGITAL}}$ data input to diode (Not used).
69	P18/ $\overline{\text{DIGITAL-IN1}}$	O/I	FL segement P18 output / Digital input data input to diode (VIDEO1, VIDEO2, VIDEO3, CD) (Not used).
70	P17/ $\overline{\text{96kHz}}$	O/I	FL segement P17 output / $\overline{\text{96kHz}}$ data input to diode (Not used).
71	P16/ $\overline{\text{DTS}}$	O/I	FL segement P16 output / $\overline{\text{DTS}}$ data input to diode (Not used).
72	P15/ $\overline{\text{DSP}}$	O/I	FL segement P15 output / $\overline{\text{DSP}}$ data input to diode (Not used).
73	P14	O	FL segement P14 output.
74	P13/ $\overline{\text{STEREO}}$	O/I	FL segement P13 output / $\overline{\text{Tuner stereo detected}}$ input.
75	P12/ $\overline{\text{HP-MUTE}}$	O/I	FL segement P12 output / $\overline{\text{Headphone mute detected}}$.
76	P11/ $\overline{\text{I-MIC}}$	O/I	FL segement P11 output / $\overline{\text{Mic}}$ input detected input.
77,78	P10,P9	O	FL segement P10, P9 output.
79	VDD2	–	Power supply input.
80	-VFL	–	Power supply input for FL display.
81	P8	O	FL segement P8 output.
82	P7	O	FL segement P7 output.
83	P6	O	FL segement P6 output.
84	P5	O	FL segement P5 output.
85~88	P4~P1	O	FL segement P4 ~ P1 output.
89~100	G12~G1	O	FL grid output G12 ~ G1.

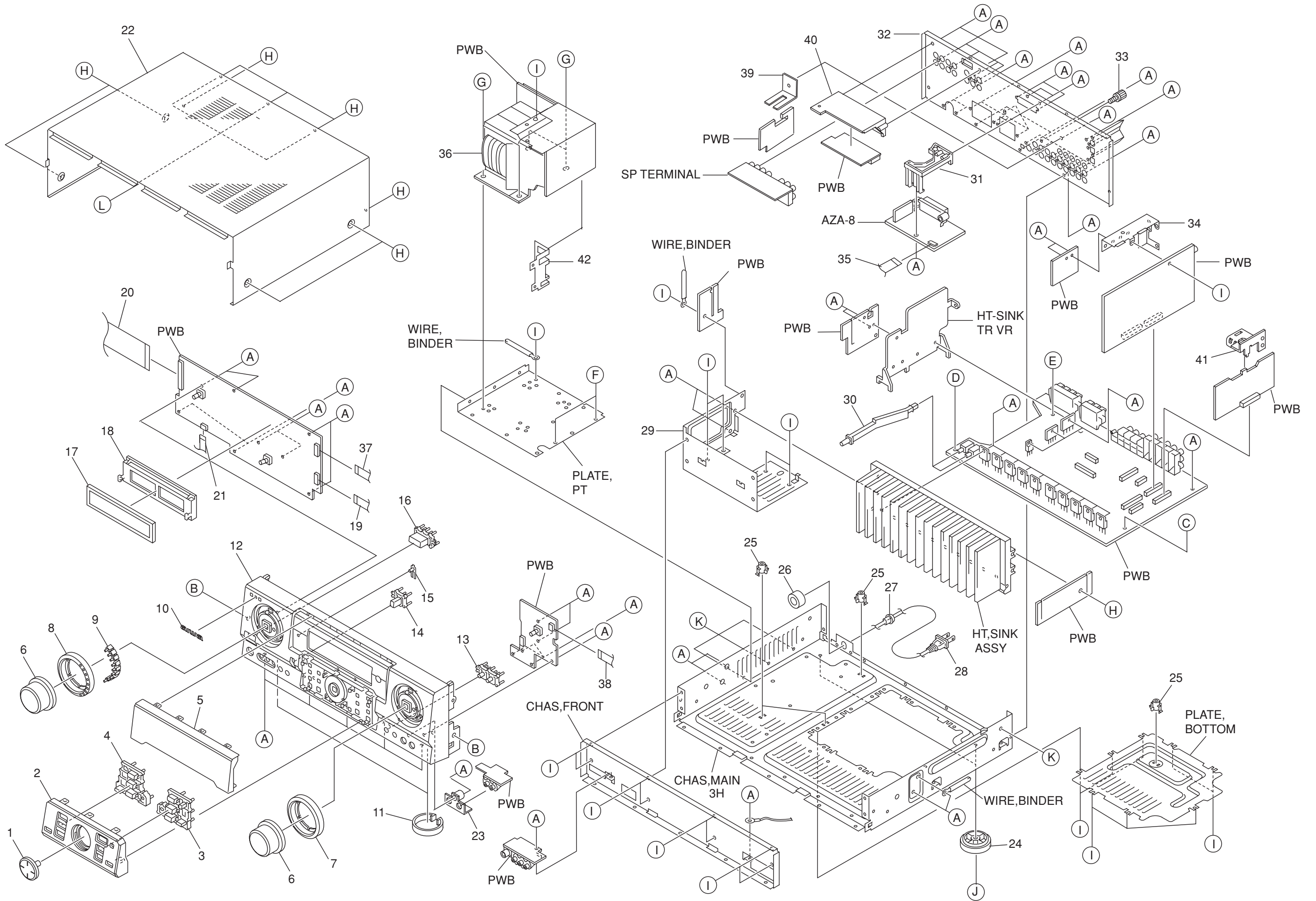
ADJUSTMENT <TUNER / FRONT>

< TUNER SECTION >

1. Clock Frequency Check
Settings : • Test point : TP2(CLK)
Method : Set to AM 1602kHz and check that the test point is 2052kHz \pm 45Hz.
2. AM VT Check
Settings : • Test point : TP1(VT)
Method : Set to AM 1602kHz, AM 531kHz and check that the test point is less than 8.0V(1602kHz) and more than 0.6V(531kHz).
3. AM Tracking Adjustment
Settings : • Test point : TP8(Lch), TP9(Rch)
• Adjustment location : L981(1/3)
Method : Set to AM 999kHz and adjust L981(1/3) so that the test point is maximum.
4. FM VT Check
Settings : • Test point : TP1(VT)
Method : Set to FM 108.0MHz and check that the test point is less than 8.0V.
Then set to FM 87.5MHz and check that the test point is more than 0.5V.
5. FM Tracking Check
Settings : • Test point : TP8(Lch), TP9(Rch)
Method : • Set to FM 98.0MHz and check that the test point is less than 9.0dB μ V.
6. AM IF Adjustment
Settings : • Test point : TP8(Lch), TP9(Rch)
• Adjustment location :
L772 450kHz
7. DC Balance / Mono Distortion Adjustment
Settings : • Test point : TP3, TP4 (DC Balance)
TP8(Lch), TP9(Rch) (Distortion)
• Adjustment location : L771
• Input level : 60dB μ V
Method : Set to FM 98.0MHz and adjust L771 so that the voltage between TP3 and TP4 becomes 0V \pm 0.04V.
Next, check that the distortion is less than 1.3%.

< FRONT SECTION >

8. μ -CON OSC Adjustment
Settings : • Test point : TP1 and GND
• Adjustment location : L801
Method : Insert AC plug while pressing ECO key and POWER key. Adjust L801 so that the frequency across the test point is 78.40Hz \pm 0.08Hz.



MECHANICAL PARTS LIST 1 / 1

REF. NO.	PART NO.	KANRI NO.	DESCRIPTION	REF. NO.	PART NO.	KANRI NO.	DESCRIPTION
1	8A-AR3-054-010		KNOB,RTRY JOG GLD	31	88-AR1-203-010		HLDR,TU
2	8A-AR3-032-010		PANEL,FR H GLD	32	8A-AR3-035-010		PANEL,REAR HTNM
3	8A-AR3-060-010		KEY,ASSY ENTER H GLD	33	87-033-209-010		TERMINAL, EARTH
4	8A-AR3-059-010		KEY,ASSY DOLBY H GLD	34	8Z-AR1-219-110		HLDR,PWB PRO
5	8A-AR3-004-010		WINDOW,DISP 5.1CH	35	88-912-161-110		FF-CABLE,12P 1.25 160MM
6	8A-AR3-055-110		KNOB,RTRY VOL GLD	△ 36	8A-AR3-606-010		PT,AAR-3 (HC)
7	8A-AR3-068-010		RING,VOL GLD	37	8A-AR3-645-010		FF-CABLE,6P 1.25 380MM
8	8A-AR3-069-010		RING,FUN GLD	38	88-907-301-110		FF-CABLE, 7P 1.25
9	8A-AR3-009-010		REFLECTOR,FUN	39	8A-AR1-201-010		HLDR,EQ PWB
10	87-CE3-023-010		BADGE,AIWA 30N SILV	40	88-AR1-211-110		HLDR,AC SW
11	8Z-AR1-020-110		RING,FOOT SIL	41	88-AR2-205-110		HLDR,PWB OSD
12	8A-AR3-031-010		CABI,FR H GLD	42	8A-AR4-202-010		HLDR,PWB PT
13	8A-AR3-052-010		KEY,BAL GLD	A	87-067-703-010		TAPPING SCREW, BVT2+3-10
14	8A-AR3-051-010		KEY,ECO GLD	B	87-591-095-410		TAPPING SCREW, QIT+3-8 (GLD)
15	8A-AR3-010-010		REFLECTOR,ECO	C	87-067-633-010		TAPPING SCREW, BVT2+3-8
16	8A-AR3-050-010		KEY,POWER GLD	D	87-067-581-010		TAPPING SCREW, BVT2+3-15
17	8A-AR1-602-010		FL,BJ759GK	E	87-067-632-010		TAPPING SCREW, BVT2+3-15
18	8A-AR3-201-010		GUIDE,FL	F	87-067-585-010		TAPPING SCREW, BVTT+4-6
19	88-916-101-110		FF-CABLE, 16P 1.25 100MM	G	87-078-191-010		S-SCREW,IT+4-10
20	8A-AR3-643-010		FF-CABLE,32P 1.25 430MM	H	87-067-641-010		UTT2+3-8 (W/O SLOT)BL
21	88-908-101-110		FF-CABLE, 8P 1.25 10MM	I	87-067-584-010		TAPPING SCREW, BVT2+3-6
22	8Z-AR1-050-110		CABI,STEEL GLD	J	87-067-689-010		TAPPING SCREW, BVTT+3-8
23	8A-AR3-053-010		COVER, MIC GLD	K	87-721-095-410		QT2+3-8GLD W/O SLOT
24	8Z-AR1-021-110		FOOT,REAR	L	8A-AR2-211-010		W3.5-8-1 W/ADH
25	88-AR1-218-010		HLDR,PWB H8.9				
26	87-003-317-010		F-BEAD,F0H2515-LG7				
27	87-085-185-010		BUSHING, AC CORD (E)				
△ 28	87-A80-092-010		AC CORD ASSY,E BLK SUN FAI				
29	8Z-AR1-205-010		HLDR,HT-SINK				
30	8A-AR3-056-010		BTN,SP GLD				

COLOR NAME TABLE

Basic color symbol	Color	Basic color symbol	Color	Basic color symbol	Color
B	Black	C	Cream	D	Orange
G	Green	H	Gray	L	Blue
LT	Transparent Blue	N	Gold	P	Pink
R	Red	S	Silver	ST	Titan Silver
T	Brown	V	Violet	W	White
WT	Transparent White	Y	Yellow	YT	Transparent Yellow
LM	Metallic Blue	LL	Light Blue	GT	Transparent Green
LD	Dark Blue	DT	Transparent Orange	GM	Metallic Green
YM	Metallic Yellow	DM	Metallic Orange	PT	Transparent Pink
LA	Aqua Blue	GL	Light Green		

アイワ株式会社 〒110-8710 東京都台東区池之端1-2-11 ☎03(3827)3111 (代表)
AIWA CO.,LTD. 2-11, IKENOHATA 1-CHOME, TAITO-KU, TOKYO 110, JAPAN TEL:03 (3827) 3111